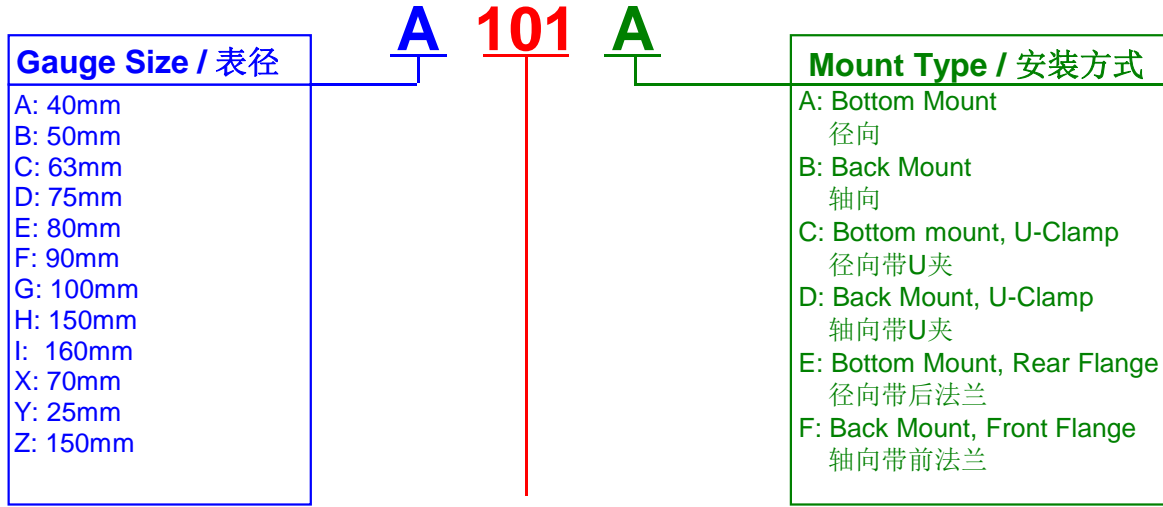


规格说明 Model Identifications



	Liquid Filled Gauge, Brass Internals 耐震表, 铜质内机	1~2
	Liquid Filled Gauge, Stainless Steel internals 耐震表, 全不锈钢材质	3~4
	Liquid Filled Gauge, Stainless Steel internals, Welded Case 耐震表, 全不锈钢材质, 焊壳式	5~12
	Standard Gauge, Black Steel Case 普通表, 黑铁壳	13~15
	Standard Gauge, Chromed Mild Steel Case 普通表, 镀铬铁壳	16
	Standard Gauge, Stainless Steel Case with Brass Internals 普通表, 不锈钢壳, 铜质内机	17
	Standard Gauge, All Stainless Steel 普通表, 全不锈钢材质	18
	Standard Gauge, Plastic Case 普通表, 塑壳	19
	Oxygen Pressure Gauges 氧气表	20
	Capluse Pressure Gauges 低压膜盒表	21

101 & 102 Series

Difference between 101 and 102: 101 has polycarbonate window, 102 has tempered glass window.



101A and 102A: Bottom Mount



101B and 102B: Back Mount



101D and 102D: Back Mount with U-clamp



101F and 102F: Back Mount with Front Flange

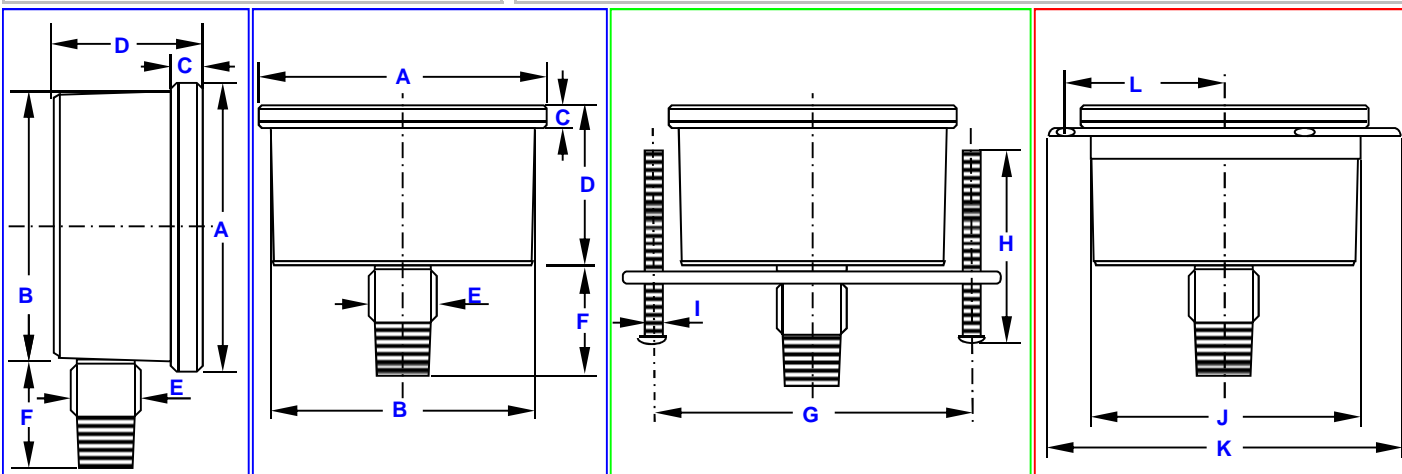
Description

101 & 102 series are filled with glycerine oil, which are used to resist vibration and pulsation. These gauges are suited to a broad range of plant, process, hydraulic and fluid power applications.

Material Feature

Case	SS304, Polished	Connection	Brass
Ring	SS304, Polished	Thread Size	1/8", 1/4", 3/8", 1/2"
Window	101	Polycarbonate	Movement
	102	Tempered Glass	
Dial	Aluminium	Bourdon Tube	Phosphorus Bronze
Pointer	Aluminium	Accuracy	1.6% / 1.0%*
		Pres. Range	VAC ~ 9PSI ~ 15000PSI

* 1% accuracy is available when required



DIMENSIONS

Code	Dia (mm)	Size (mm)											
		A	B	C	D	E	F	G	H	I	J	K	L
A101/102	40	46.5	41.0	5.0	25.5	14.0	23.0	48.0	37.0	4.0	43.0	62.0	26.5
B101/102	50	52.5	52.0	6.0	29.0	14.0	24.0	60.0	37.0	5.0	54.0	73.0	32.0
C101/102	63	68.0	61.0	6.0	29.0	14.0	24.0	71.0	37.0	5.0	63.0	84.0	37.0
D101/102	75	81.0	74.5	7.0	30.0	14.0	24.0	-	-	-	-	-	-
E101/102	80	87.0	80.0	7.0	30.0	14.0	24.0	-	-	-	-	-	-
G101/102	100	108.5	98.5	9.0	37.5	22.0	36.0	-	-	-	99.5	130.0	58.5

103 & 104 Series

Difference between 103 and 104: 103 has polycarbonate window, 104 has tempered glass window.



103A and 104A: Bottom Mount



103B and 104B: Back Mount

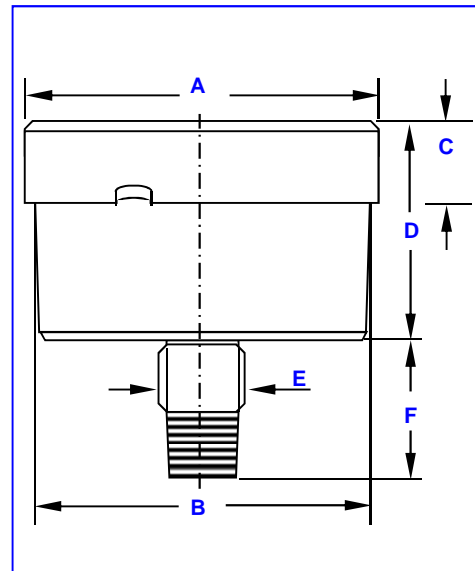
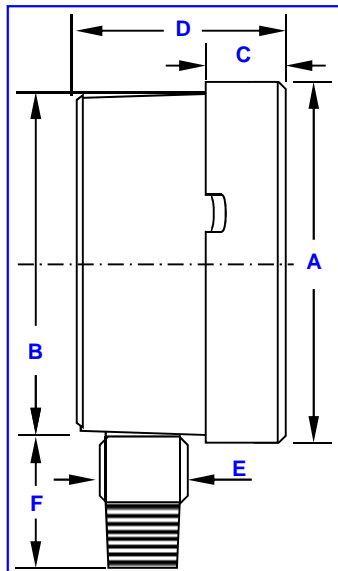
Description

103 & 104 series is made by SS case with bayonet bezel, so that the gauge is easier to be repaired. Glycerine filled, other features are same as 101 series. Adjustable pointer is optional.

Material Feature

Case	SS304, Polished	Connection	Brass	
Ring	SS304, Polished	Thread Size	1/8", 1/4", 3/8", 1/2"	
Window	103	Polycarbonate	Movement	Brass
	104	Tempered Glass		
Dial	Aluminium	Bourdon Tube	Phosphorus Bronze	
Pointer	Aluminium	Accuracy	1.6% / 1.0%*	
		Pres. Range	VAC ~ 9PSI ~ 15000PSI	

* 1% accuracy is available when required



DIMENSIONS

Code	Dia (mm)	Size (mm)											
		A	B	C	D	E	F	G	H	I	J	K	L
A103/104	40	-	-	-	-	-	-	-	-	-	-	-	-
B103/104	50	-	-	-	-	-	-	-	-	-	-	-	-
C103/104	63	69.0	61.0	10.4	29.0	14	24.0	-	-	-	-	-	-
D103/104	75	-	-	-	-	-	-	-	-	-	-	-	-
E103/104	80	-	-	-	-	-	-	-	-	-	-	-	-
G103/104	100	111.0	99.5	15.1	37.0	22	36.0	-	-	-	-	-	-

111 & 112 Series

Difference between 111 and 112: 111 has polycarbonate window, 112 has tempered glass window.



111A and 112A: Bottom Mount



111B and 112B: Back Mount



111D and 112D: Back Mount with U-clamp



111F and 112F: Back Mount with Front Flange

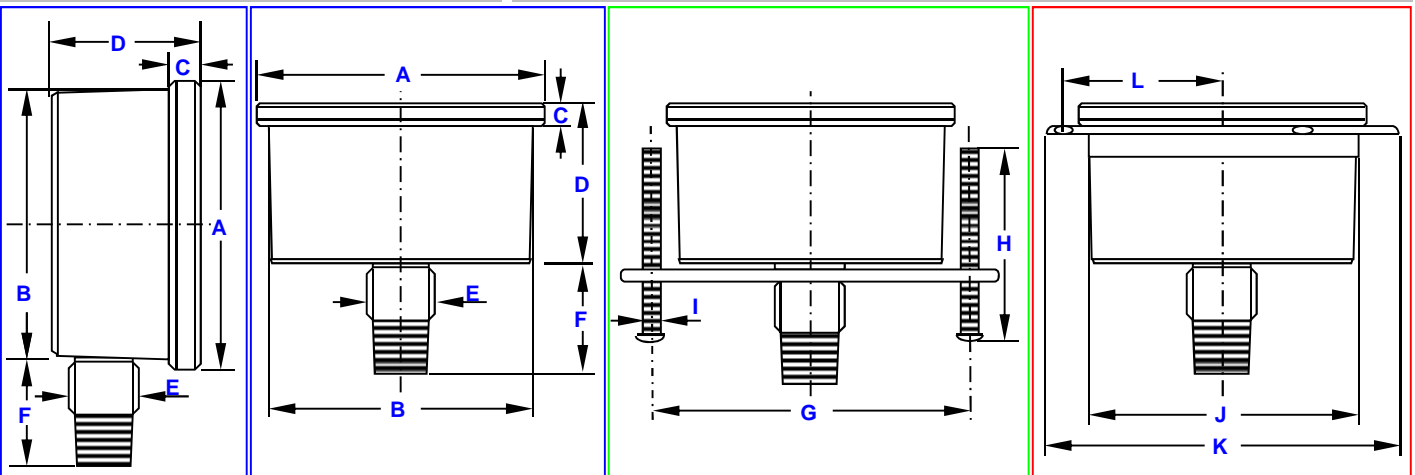
Description

111 & 112 series is designed for critical environment or high pure devices with long durability, it has SS304 housing and SS316 internals, can be used in most corrosive atmospheres, vibration and pulsation environments, food industry, water supplies, medical, etc.

Material Feature

Case	SS304, Polished	Connection	SS316
Ring	SS304, Polished	Thread Size	1/8", 1/4", 3/8", 1/2"
Window	111 Polycarbonate	Movement	SS304
	112 Tempered Glass	Bourdon Tube	SS316
Dial	Aluminium	Accuracy	1.6% / 1.0%*
Pointer	Aluminium	Pres. Range	VAC ~ 9PSI ~ 15000PSI

* 1% accuracy is available when required



DIMENSIONS

Code	Dia (mm)	Size (mm)											
		A	B	C	D	E	F	G	H	I	J	K	L
A111/112	40	46.5	41.0	5.0	25.5	14.0	23.0	48.0	37.0	4.0	43.0	62.0	26.5
B111/112	50	52.5	52.0	6.0	29.0	14.0	24.0	60.0	37.0	5.0	54.0	73.0	32.0
C111/112	63	68.0	61.0	6.0	29.0	14.0	24.0	71.0	37.0	5.0	63.0	84.0	37.0
D111/112	75	81.0	74.5	7.0	30.0	14.0	24.0	-	-	-	-	-	-
E111/112	80	87.0	80.0	7.0	30.0	14.0	24.0	-	-	-	-	-	-
G111/112	100	108.5	98.5	9.0	37.5	22.0	36.0	-	-	-	99.5	130.0	58.5

113 & 114 Series

Difference between 113 and 114: 113 has polycarbonate window, 114 has tempered glass window.



103A and 104A: Bottom Mount



103B and 104B: Back Mount

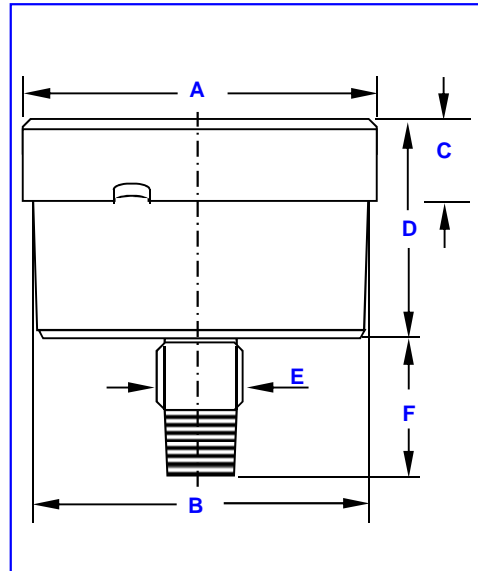
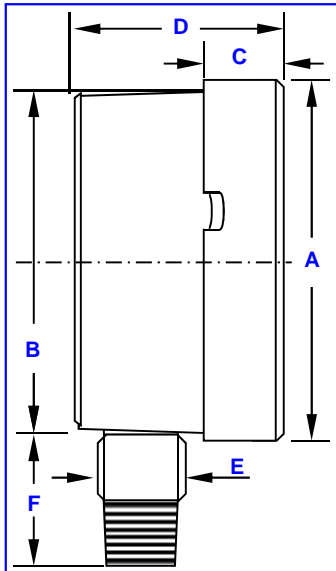
Description

113 & 114 series are all stainless steel materials with bayonet bezel, glycerine filled. Adjustable pointer is optional.

Material Feature

Case	SS304, Polished	Connection	SS316	
Ring	SS304, Polished	Thread Size	1/8", 1/4", 3/8", 1/2"	
Window	113	Polycarbonate	Movement	SS304
	114	Tempered Glass	Bourdon Tube	SS316
Dial	Aluminium	Accuracy	1.6% / 1.0%*	
Pointer	Aluminium	Pres. Range	VAC ~ 9PSI ~ 15000PSI	

* 1% accuracy is available when required



DIMENSIONS

Code	Dia (mm)	Size (mm)											
		A	B	C	D	E	F	G	H	I	J	K	L
A113/114	40	-	-	-	-	-	-	-	-	-	-	-	-
B113/114	50	-	-	-	-	-	-	-	-	-	-	-	-
C113/114	63	69.0	61.0	10.4	29.0	14	24.0	-	-	-	-	-	-
D113/114	75	-	-	-	-	-	-	-	-	-	-	-	-
E113/114	80	-	-	-	-	-	-	-	-	-	-	-	-
G113/114	100	111.0	99.5	15.1	37.0	22	36.0	-	-	-	-	-	-

181 & 182 Series

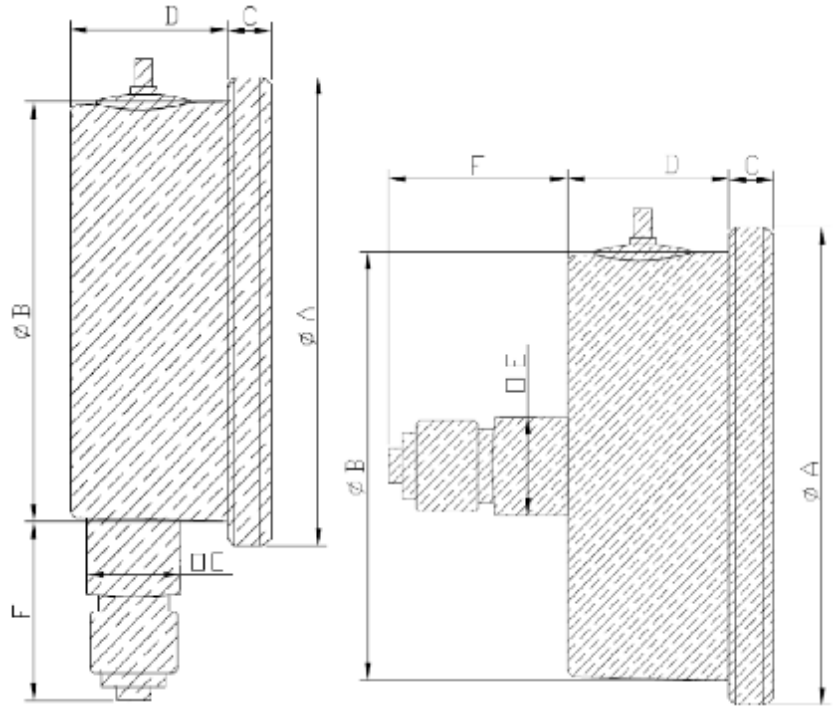
Difference between 181 and 182: 181 has polycarbonate window, 182 has tempered glass window.



181A and 182A: Bottom Mount



181B and 182B: Back Mount



Description / 产品描述

This series is designed for critical environment or high pure devices, it has SS304 housing and SS316 internals, can be used in most corrosive atmospheres, vibration and pulsation environments. Socket and case is welded by laser.
全不锈钢焊壳式耐震表，可用于各类复杂恶劣环境。接头及壳体采用激光焊接。

DIMENSIONS / 尺寸

Code	Dia (mm)	Size / 尺寸 (mm)					
		A	B	C	D	E	F
B181/182	50	57.5	50.5	6.5	22.0	14.0	26.0
C181/182	63	68.0	61.0	6.5	22.0	14.0	26.0

Other diameters can be inquired / 其它直径的表欢迎查询

Material / 材质说明

Case / 壳体	SS304 / 不锈钢304	Connection / 接头	SS316 / 不锈钢316
Ring / 圈	SS304 / 不锈钢304	Thread Size / 螺纹尺寸	1/8", 1/4", M14
Window / 表面	181 Polycarbonate / 聚碳	Movement / 机芯	SS304 / 不锈钢304
	182 Tempered Glass / 钢化玻璃	Bourdon Tube / 弹簧管	SS316 / 不锈钢316L
Dial / 标牌	Aluminium / 铝	Accuracy / 精度	1.6% / 1.0%*
Pointer / 指针	Aluminium / 铝	Pres. Range / 压力范围	VAC ~ 9PSI ~ 15000PSI

* 1% accuracy is available when required / 如要求可提供1%精度等级。

183 & 184 Series

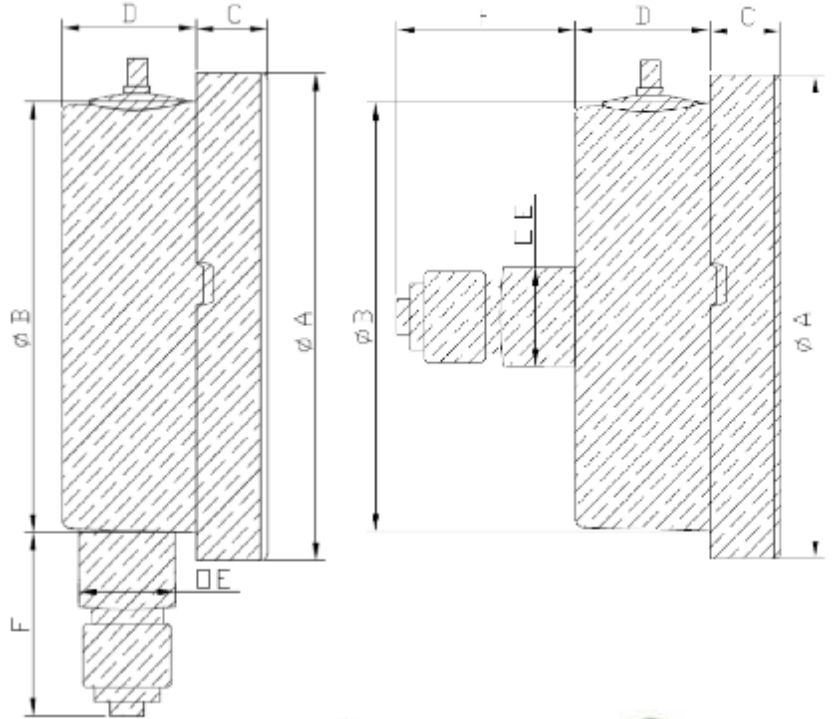
Difference between 183 and 184: 183 has polycarbonate window, 184 has tempered glass window.



183A and 184A: Bottom Mount



183B and 184B: Back Mount



Description / 产品描述

183 & 184 series is all SS gauges as 181 series but with bayonet bezel, it means this gauge is repairable. This series also can be used under critical environment or high pure devices.

全不锈钢焊壳式耐震表，采用旋入式结构的壳体，以便于维修。该系列表所用材质及生产工艺与181系列相同，可用于各类复杂恶劣环境。接头及壳体采用激光焊接。

DIMENSIONS / 尺寸

Code	Dia (mm)	Size / 尺寸 (mm)					
		A	B	C	D	E	F
B183/184	50	58.0	50.5	10.4	18.6	14.0	26.0
C183/184	63	69.0	61.0	10.4	18.6	14.0	26.0

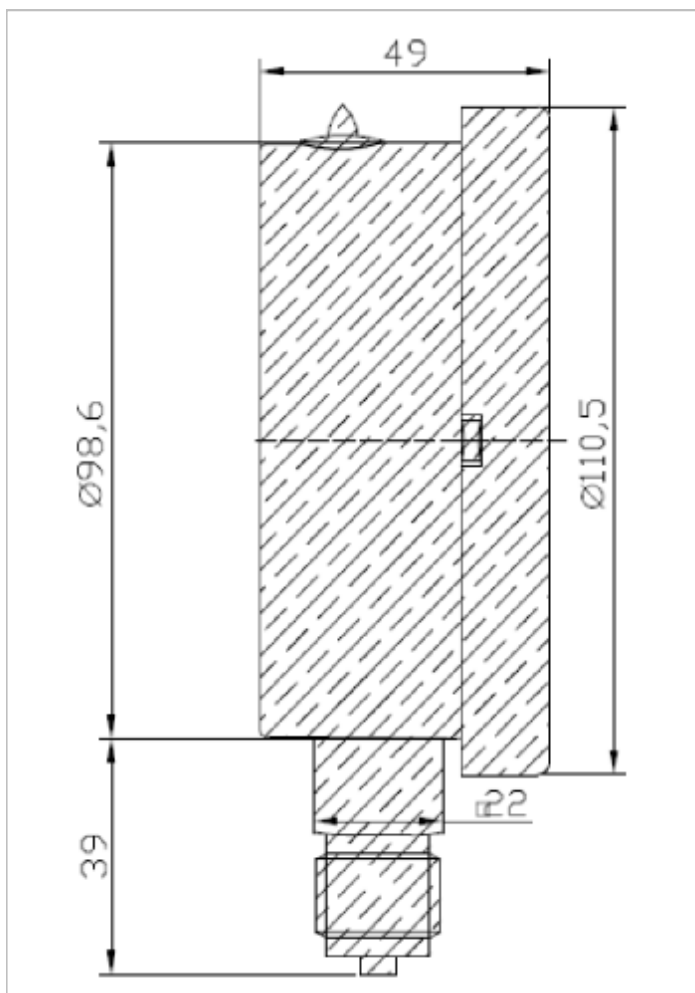
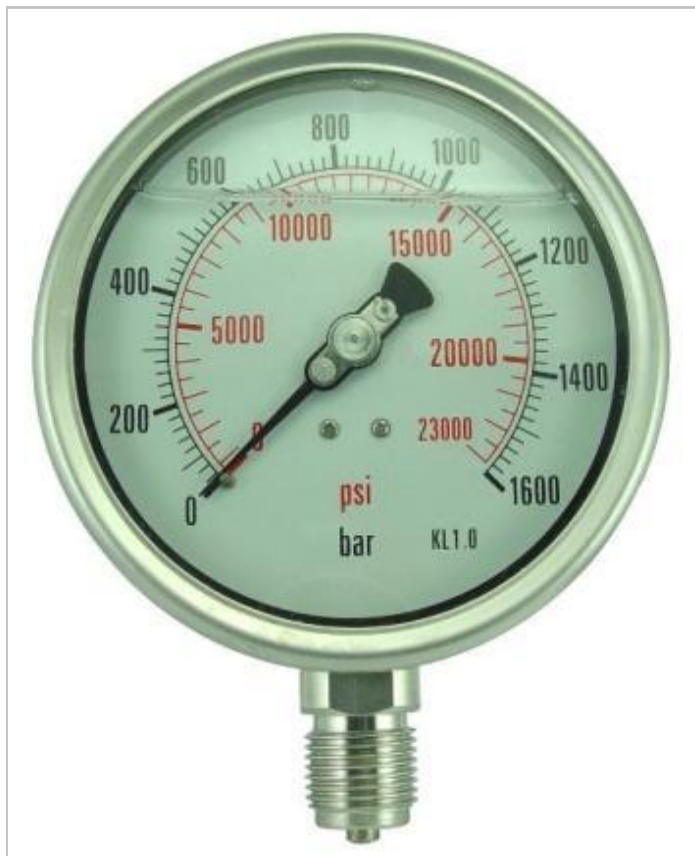
Other diameters can be inquired / 其它直径的表欢迎查询

Material / 材质说明

Case / 壳体	SS304 / 不锈钢304	Connection / 接头	SS316 / 不锈钢316	
Ring / 圈	SS304 / 不锈钢304	Thread Size / 螺纹尺寸	1/8", 1/4", M14	
Window / 表面	183	Polycarbonate / 聚碳	Movement / 机芯	SS304 / 不锈钢304
	184	Tempered Glass / 钢化玻璃	Bourdon Tube / 弹簧管	SS316 / 不锈钢316L
Dial / 标牌	Aluminium / 铝	Accuracy / 精度	1.6% / 1.0%*	
Pointer / 指针	Aluminium / 铝	Pres. Range / 压力范围	VAC ~ 9PSI ~ 15000PSI	

* 1% accuracy is available when required / 如要求可提供1%精度等级。

G184A (100MM) STAINLESS STEEL GAUGE



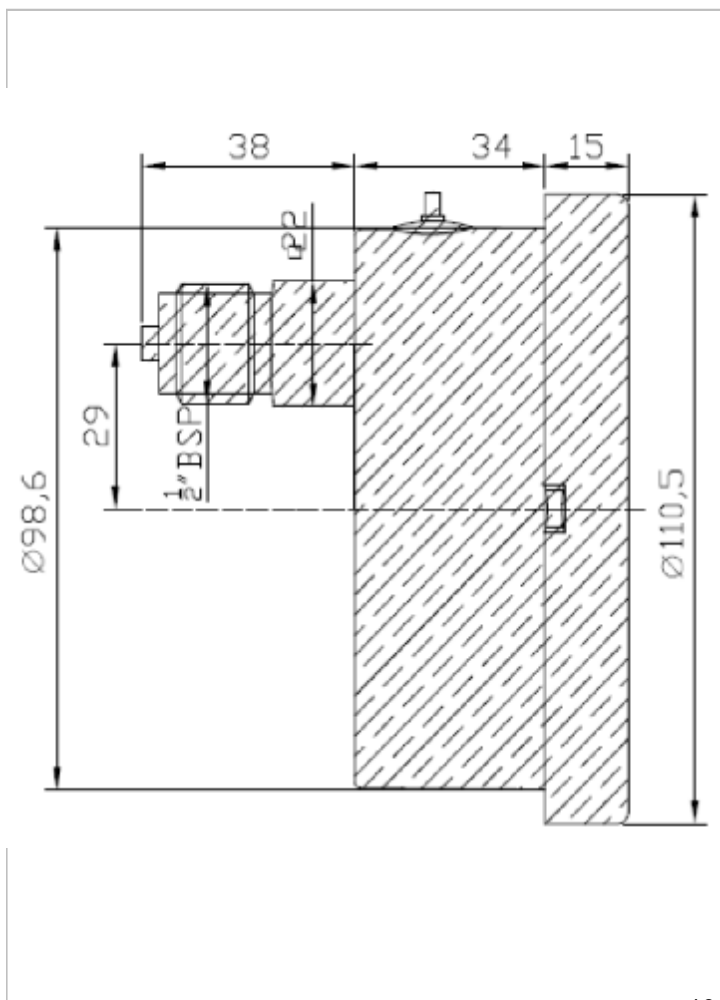
Material Feature / 材质说明

Case / 表壳	SS304 / 不锈钢304	
Ring / 圈	SS304 / 不锈钢304	
Window / 表面	G183A	Polycarbonate / 聚碳
	G184A	Tempered Glass / 钢化玻璃
Dial / 标牌	Aluminium / 铝	
Pointer / 指针	Aluminium / 铝	
Movement / 机芯	SS304 / 不锈钢304	
Connection / 接头	SS316 / 不锈钢316	
Bourdon Tube / 弹簧管	SS316L / 不锈钢316L	
Liquid Type / 油质	Glycerine / 甘油	
Thread Size / 螺纹尺寸	1/2", M20	
Thread Type / 螺纹类型	BSP, BSPT, NPT	
Pres. Range / 压力范围	VAC ~ 9PSI ~ 30000PSI	
Over Pressure / 超压	130% x 30min	
Accuracy / 精度	1.0%	
Welding Type / 焊接类型	Argon-arc Welding / 氩弧焊	
* Laminated glass available if required / 可选夹层玻璃		
* Micro adjustable pointer is installed / 标配可调指针		
* Customer dial design acceptable / 可加客户商标		
* 0.5% accuracy is available if required / 如要求可供0.5%精度		

Description / 产品描述

G184A is made with all stainless steel material, all elements are assembled by argon-arc welding, The full stainless steel materials and strong elements ensure this gauge is in high accuracy, long durability and suitable for critical situation, e.g. petroleum industry, vibration and corrosion environment.
本类型全钢耐震压力表可用于石油、化工等各种繁杂环境。接头采用正宗SS316材料，为国内少有。

G184B (100MM) STAINLESS STEEL GAUGE



Material Feature / 材质说明

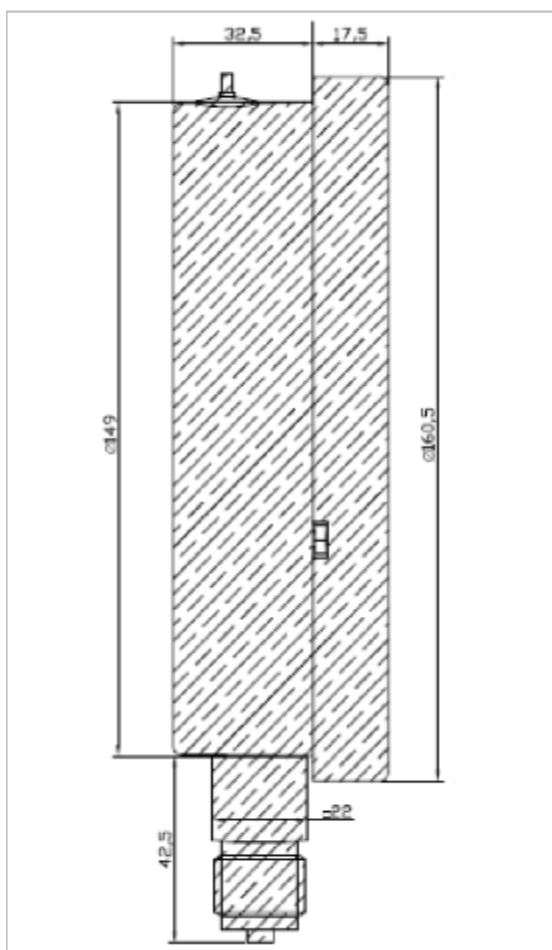
Case / 表壳	SS304 / 不锈钢304
Ring / 表盖	SS304 / 不锈钢304
Window/表面	Polycarbonate (G183B) Tempered Glass (G184B)
Dial / 标牌	Aluminium / 铝
Pointer / 指针	Aluminium / 铝
Movement / 机芯	SS304 / 不锈钢304
Connection / 接头	SS316 / 不锈钢304
Bourdon Tube / 弹簧管	SS316L / 不锈钢304L
Liquid Type / 油质	Glycerine / 甘油
Thread Size / 接头螺纹	1/2"
Thread Type / 螺纹类型	BSP, BSPT, NPT, METRIC
Pres. Range / 压力范围	VAC ~ 9PSI ~ 30000PSI
Over Pressure / 超压	130% x 30min
Accuracy / 精度等级	1.0%
Welding Type / 焊接	Argon-arc Welding / 氩弧焊
* Laminated glass available if required / 可选夹层玻璃	
* Micro adjustable pointer is installed / 标配可调指针	
* Customer dial design acceptable / 可加客户商标	
* 0.5% accuracy available if required / 如要求可供0.5%精度	

Description / 产品描述

G184B is made with all stainless steel material, all elements are assembled by argon-arc welding, The full stainless steel materials and strong elements ensure this gauge is in high accuracy, long durability and suitable for critical situation, e.g. petroleum industry, vibration and corrosion environment.

本类型全钢耐震压力表可用于石油、化工等各种繁杂环境。

H184A (150MM) STAINLESS STEEL GAUGE



Material Feature / 材质说明

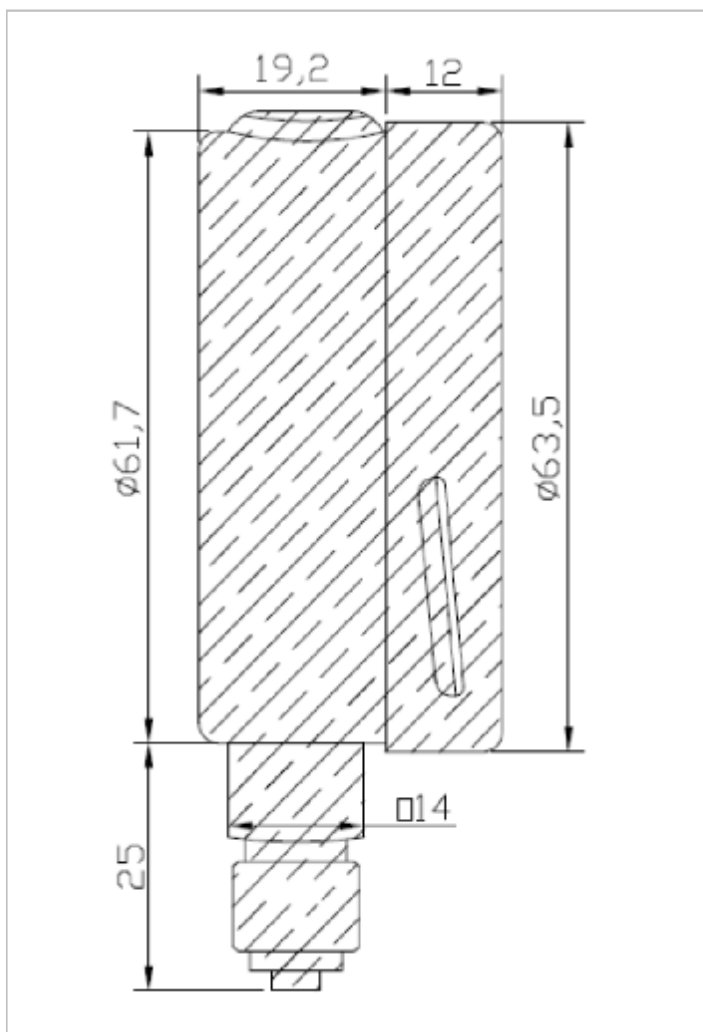
Case / 表壳	SS304 / 不锈钢304
Ring / 表盖	SS304 / 不锈钢304
Window / 表面	Tempered Glass / 钢化玻璃
Dial / 标牌	Aluminium / 铝
Pointer / 指针	Aluminium / 铝
Movement / 机芯	SS304 / 不锈钢304
Connection / 接头	SS316 / 不锈钢304
Bourdon Tube / 弹簧管	SS316L / 不锈钢316L
Liquid Type / 油质	Glycerine / 甘油
Thread Size / 接头螺纹	1/2"
Thread Type / 螺纹类型	BSP, BSPT, NPT, METRIC
Pres. Range / 压力范围	VAC ~ 9PSI ~ 30000PSI
Over Pressure / 超压	130% x 30min
Accuracy / 精度等级	1.0%
Welding Type / 焊接	Argon-arc Welding / 氩弧焊
* Laminated glass available if required / 可选夹层玻璃	
* Micro adjustable pointer is installed / 标配可调指针	
* Customer dial design acceptable / 可加客户商标	
* 0.5% accuracy is available if required / 如要求可供0.5%精度	

Description / 产品描述

H184A is made with all stainless steel material, all elements are assembled by argon-arc welding. The full stainless steel materials and strong elements ensure this gauge is in high accuracy, long durability and suitable for critical situation, e.g. petro.

本类型全钢耐震压力表可用于石油、化工等各种繁杂环境。

C186A (63MM) STAINLESS STEEL GAUGE



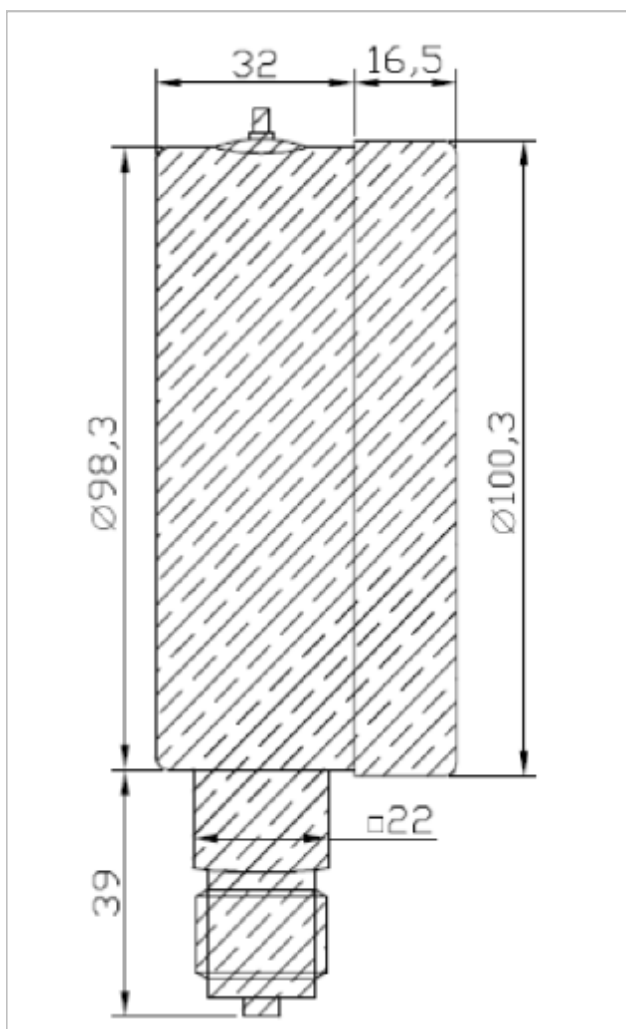
Material Feature / 材质说明

Case / 表壳	SS304 / 不锈钢304
Ring / 表盖	SS304 / 不锈钢304
Window / 表面	Tempered Glass / 钢化玻璃
Dial / 标牌	Aluminium / 铝
Pointer / 指针	Aluminium / 铝
Movement / 机芯	SS304 / 不锈钢304
Connection / 接头	SS316 / 不锈钢316
Bourdon Tube / 弹簧管	SS316L / 不锈钢316L
Liquid Type / 油质	Glycerine / 甘油
Thread Size / 接头螺纹	1/4", M14
Thread Type / 螺纹类型	BSP, BSPT, NPT, METRIC
Pres. Range / 压力范围	VAC ~ 9PSI ~ 1500PSI
Over Pressure / 超压	130% x 30min
Accuracy / 精度等级	1.6%
Welding Type / 焊接	Argon-arc Welding / 氩弧焊接 Laser Welding / 激光焊接
* Laminated glass available if required / 可选夹层玻璃	
* Customer dial design acceptable / 可加客户商标	
* 1.0% accuracy is available if required / 如要求可供0.5%精度	

Description / 产品描述

C186A is made with all stainless steel material, pressure elements are assembled by argon-arc welding, socket and case are assembled by laser welding. The full stainless steel materials and strong elements ensure this gauge is in high accuracy, long durability and suitable for critical situation, e.g. petroleum industry, vibration and corrosion environment.
本类型全钢耐震压力表可用于石油、化工等各种繁杂环境。接头采用正宗SS316材料，为国内少有。

G186A (100MM) STAINLESS STEEL GAUGE



Material Feature / 材质说明

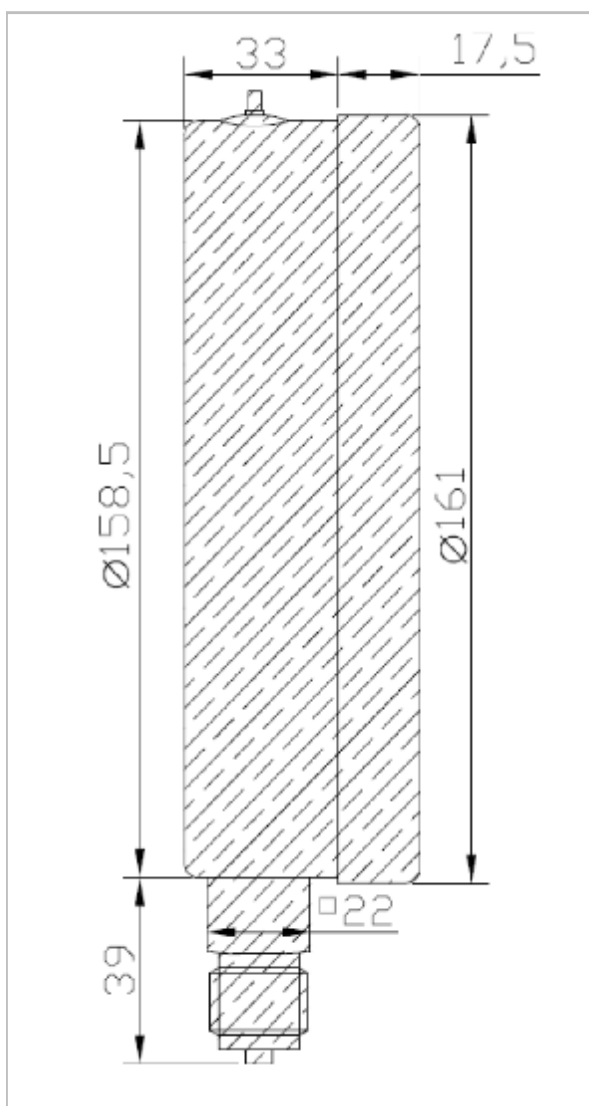
Case/表壳	SS304 / 不锈钢304
Ring/表盖	SS304 / 不锈钢304
Window/表面	Tempered Glass / 钢化玻璃
Dial/标牌	Aluminium / 铝
Pointer/指针	Aluminium / 铝
Movement/机芯	SS304 / 不锈钢304
Connection/接头	SS316 / 不锈钢316
Bourdon Tube/弹簧管	SS316L / 不锈钢316L
Liquid Type/油质	Glycerine / 甘油
Thread Size/接头螺纹	1/2", M20
Thread Type/螺纹类型	BSP, BSPT, NPT, METRIC
Pres. Range/压力范围	VAC ~ 9PSI ~ 30000PSI
Over Pressure/超压	130% x 30min
Accuracy/精度等级	1.0%
Welding Type/焊接	Argon-arc Welding / 氩弧焊接 Laser Welding / 激光焊接
* Laminated glass available if required; (可选夹层玻璃)	
* Micro adjustable pointer is assembled; (标配可调指针)	
* Customer dial design acceptable; (可加客户商标)	
* 0.5% accuracy is available if required; (如要求可供0.5%精度)	

Description / 产品描述

G186A is made with all stainless steel material, pressure elements are assembled by argon-arc welding, socket and case are assembled by laser welding. The full stainless steel materials and strong elements ensure this gauge is in high accuracy, long durability and suitable for critical situation, e.g. petroleum industry, vibration and corrosion environment.

本类型全钢耐震压力表可用于石油、化工等各种繁杂环境。接头采用正宗SS316材料，为国内少有。

I186A (160MM) STAINLESS STEEL GAUGE



Material Feature / 材质说明

Case/表壳	SS304 / 不锈钢304
Ring/表盖	SS304 / 不锈钢304
Window/表面	Tempered Glass / 钢化玻璃
Dial/标牌	Aluminium / 铝
Pointer/指针	Aluminium / 铝
Movement/机芯	SS304 / 不锈钢304
Connection/接头	SS316 / 不锈钢316
Bourdon Tube/弹簧管	SS316L / 不锈钢316L
Liquid Type/油质	Glycerine / 甘油
Thread Size/接头螺纹	1/2", M20
Thread Type/螺纹类型	BSP, BSPT, NPT, METRIC
Pres. Range/压力范围	VAC ~ 9PSI ~ 30000PSI
Over Pressure/超压	130% x 30min
Accuracy/精度等级	1.0%
Welding Type/焊接	Argon-arc Welding / 氩弧焊接 Laser Welding / 激光焊接
* Laminated glass available if required; (可选夹层玻璃)	
* Micro adjustable pointer is assembled; (标配可调指针)	
* Customer dial design acceptable; (可加客户商标)	
* 0.5% accuracy is available if required; (如要求可供0.5%精度)	

Description / 产品描述

I186A is made with all stainless steel material, pressure elements are assembled by argon-arc welding, socket and case are assembled by laser welding. Lager dial face helps reading easier and higher accuracy calibration. The full stainless steel materials and strong elements ensure this gauge is in high accuracy, long durability and suitable for critical situation, e.g. petroleum industry, vibration and corrosion environment.

本类型全钢耐震压力表可用于石油、化工等各种繁杂环境。接头采用正宗SS316材料，为国内少有。

201 & 202 Series

Difference between 201 and 202: 201 has acrylic window, 202 has common glass window.



201A and 202A: Bottom Mount



201B and 202B: Back Mount



201C and 202C: Bottom Mount with Back Flange



201F and 202F: Back Mount with Front Flange

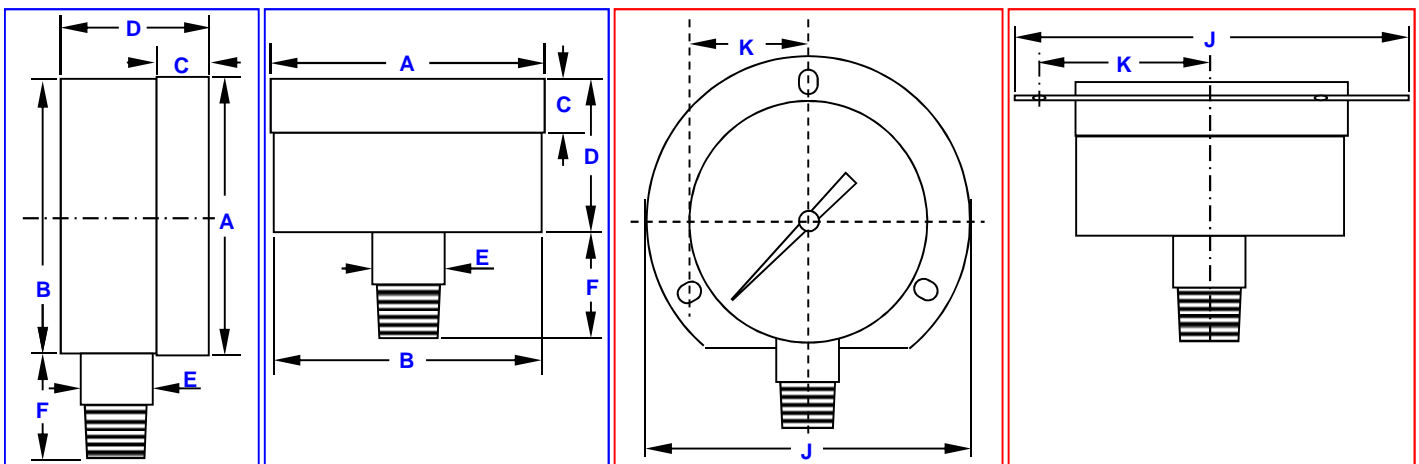
Description

201 & 202 Series is used in where the pressure medium is non-corrosive to brass, phosphor bronze, or beryllium copper. Air, oil, gas and water services are the most common applications.

Material Feature

Case	Mild Steel	Connection	Brass
Ring	Mild Steel	Thread Size	1/8", 1/4", 3/8", 1/2"
Window	201 Acrylic	Movement	Brass
	202 Common Glass	Bourdon Tube	Phosphorus Bronze
Dial	Aluminium	Accuracy	2.5% / 2.0% / 1.6%*
Pointer	Aluminium	Pres. Range	VAC ~ 9PSI ~ 15000PSI

* 2.0% / 1.6% accuracy is available when required



DIMENSIONS

Code	Dia (mm)	Size (mm)											
		A	B	C	D	E	F	G	H	I	J	K	L
A201/202	40	42.0	41.0	8.0	24.0	11.0	17.0	-	-	-	60.5	26.3	-
B201/202	50	52.5	51.3	10.0	28.0	14.0	23.0	-	-	-	74.2	31.8	-
C201/202	63	63.2	62.0	10.0	28.0	14.0	23.0	-	-	-	84.0	36.7	-
D201/202	75	77.0	75.0	11.0	29.5	14.0	23.0	-	-	-	96.0	42.7	-
E201/202	80	79.0	77.6	11.0	29.5	14.0	23.0	-	-	-	105.5	46.8	-
G201/202	100	100.0	98.5	13.0	36.0	22.0	28.5	-	-	-	131.5	59.3	-

211 & 212 Series

Difference between 211 and 212: 211 has acrylic window, 212 has common glass window.



211A and 212A: Bottom Mount



211B and 212B: Back Mount



211D and 212D: Back Mount with U-clamp



211F and 212F: Back Mount with Front Flange

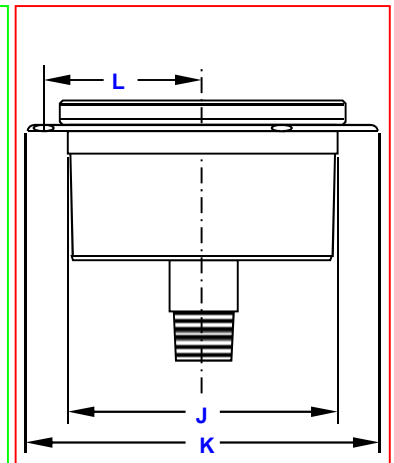
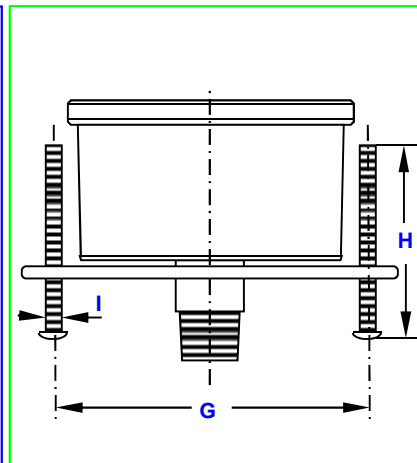
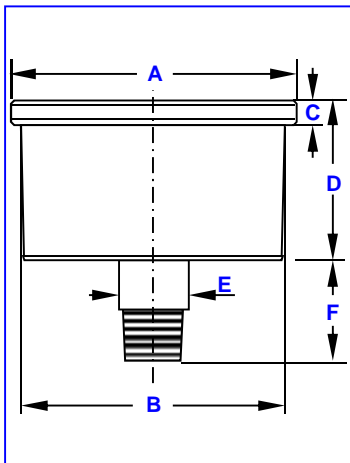
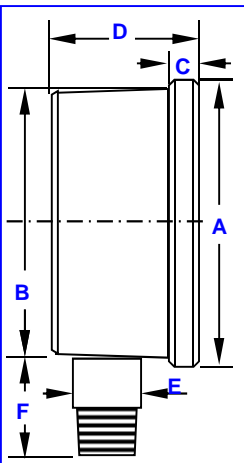
Description

211 & 212 Series has chromed crimp bezel so it can be used in more vibration condition.

Material Feature

Case	Mild Steel	Connection	Brass
Ring	Mild Steel, Chrome	Thread Size	1/8", 1/4", 3/8", 1/2"
Window	211 Acrylic	Movement	Brass
	212 Common Glass	Bourdon Tube	Phosphorus Bronze
Dial	Aluminium	Accuracy	2.5% / 2.0% / 1.6%*
Pointer	Aluminium	Pres. Range	VAC ~ 9PSI ~ 15000PSI

* 2.0% / 1.6% accuracy is available when required



DIMENSIONS

Code	Dia (mm)	Size (mm)											
		A	B	C	D	E	F	G	H	I	J	K	L
A211/212	40	46.5	41.0	5.0	25.5	11.0	17.0	48.0	37.0	4.0	43.0	62.0	26.5
B211/212	50	52.5	52.0	6.0	29.0	14.0	23.0	60.0	37.0	5.0	54.0	73.0	32.0
C211/212	63	68.0	61.0	6.0	29.0	14.0	23.0	71.0	37.0	5.0	63.0	84.0	37.0
D211/212	75	81.0	74.5	7.0	30.0	14.0	23.0	-	-	-	-	-	-
E211/212	80	87.0	80.0	7.0	30.0	14.0	23.0	-	-	-	-	-	-
G211/212	100	108.5	98.5	9.0	37.5	22.0	28.5	-	-	-	99.5	130.0	58.5

221 Series



221A: Bottom Mount



221B: Back Mount

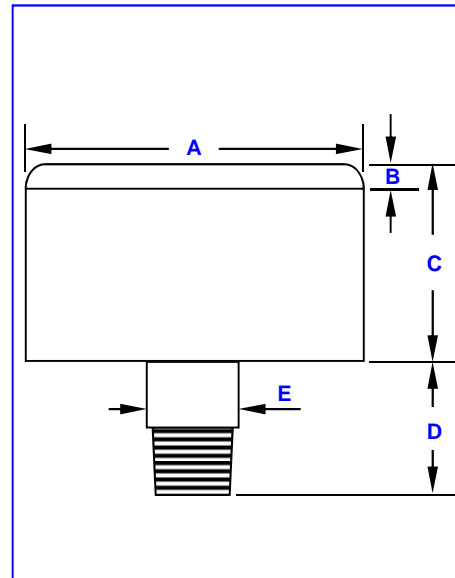
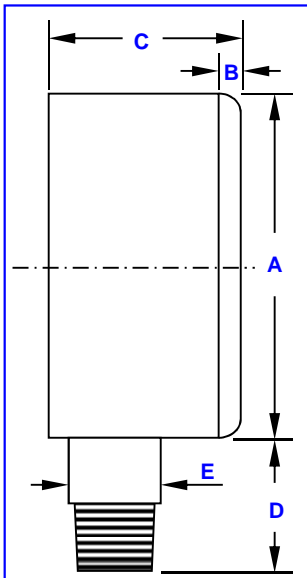
Description

221 series is economic cost pressure gauge, the case is made by mild steel and black plated, can be used for air, water, equipment.

Material Feature

Case	Mild Steel	Connection	Brass
Ring	None	Thread Size	1/8", 1/4", 3/8", 1/2"
Window	Acrylic	Movement	Brass
Dial	Aluminium	Bourdon Tube	Phosphorus Bronze
Pointer	Aluminium	Accuracy	2.5% / 2.0% / 1.6%*
		Pres. Range	VAC ~ 9PSI ~ 15000PSI

* 2.0% / 1.6% accuracy is available when required



DIMENSIONS

Code	Dia (mm)	Size (mm)											
		A	B	C	D	E	F	G	H	I	J	K	L
A221	40	41.0	2.4	24.1	25.5	11.0	-	-	-	-	-	-	-
B221	50	52.0	3.0	28.0	29.0	14.0	-	-	-	-	-	-	-
C221	63	61.0	3.0	28.8	29.0	14.0	-	-	-	-	-	-	-
D221	75	-	-	-	-	-	-	-	-	-	-	-	-
E221	80	-	-	-	-	-	-	-	-	-	-	-	-
G221	100	-	-	-	-	-	-	-	-	-	-	-	-

203 & 204 Series

Difference between 203 and 204: 203 has acrylic window, 204 has common glass window.



203A and 204A: Bottom Mount



203B and 204B: Back Mount



203C and 204C: Back Mount with Back Flange



203F and 204F: Back Mount with Front Flange

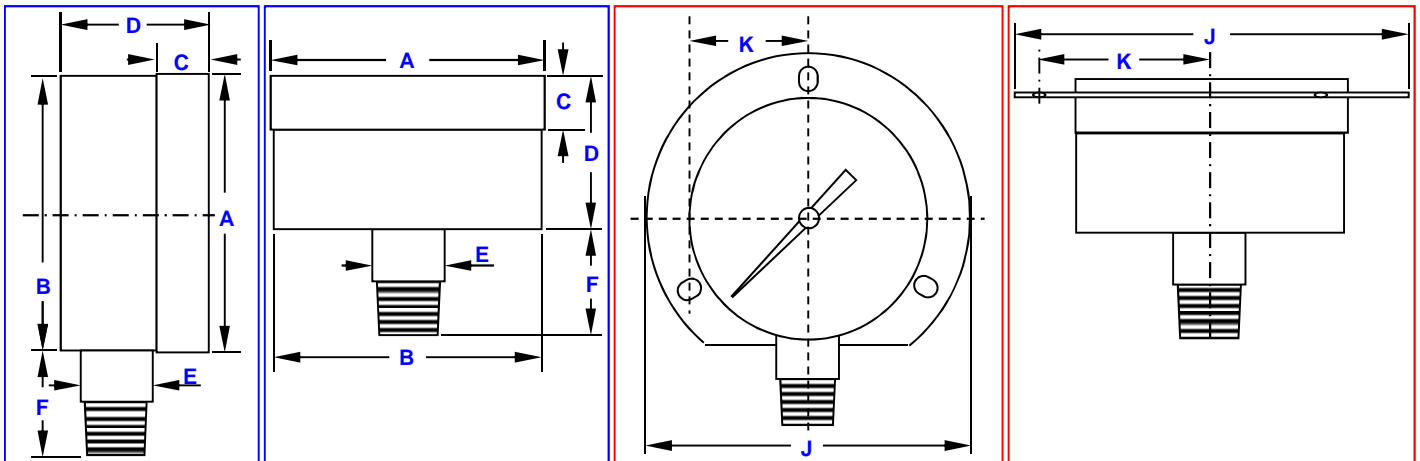
Description

203 & 204 Series is standard pressure gauge with chrome plated mild steel case. The appearance and anticorrosion of chroming is better than black.

Material Feature

Case	Steel, Chromed	Connection	Brass	
Ring	Steel, Chromed	Thread Size	1/8", 1/4", 3/8", 1/2"	
Window	203	Acrylic	Movement	Brass
	204	Common Glass	Bourdon Tube	Phosphorus Bronze
Dial	Aluminium	Accuracy	2.5% / 2.0% / 1.6%*	
Pointer	Aluminium	Pres. Range	VAC ~ 9PSI ~ 15000PSI	

* 2.0% / 1.6% accuracy is available when required



DIMENSIONS

Code	Dia (mm)	Size (mm)											
		A	B	C	D	E	F	G	H	I	J	K	L
A203/204	40	42.0	41.0	8.0	24.0	11.0	17.0	-	-	-	60.5	26.3	-
B203/204	50	52.5	51.3	10.0	28.0	14.0	23.0	-	-	-	74.2	31.8	-
C203/204	63	63.2	62.0	10.0	28.0	14.0	23.0	-	-	-	84.0	36.7	-
D203/204	75	77.0	75.0	11.0	29.5	14.0	23.0	-	-	-	96.0	42.7	-
E203/204	80	79.0	77.6	11.0	29.5	14.0	23.0	-	-	-	105.5	46.8	-
G203/204	100	100.0	98.5	13.0	36.0	22.0	28.5	-	-	-	131.5	59.3	-

241 & 242 Series

Difference between 241 and 242: 241 has acrylic window, 242 has common glass window.



241A and 242A: Bottom Mount



241B and 242B: Back Mount



241D and 242D: Back Mount with U-clamp



241F and 242F: Back Mount with Front Flange

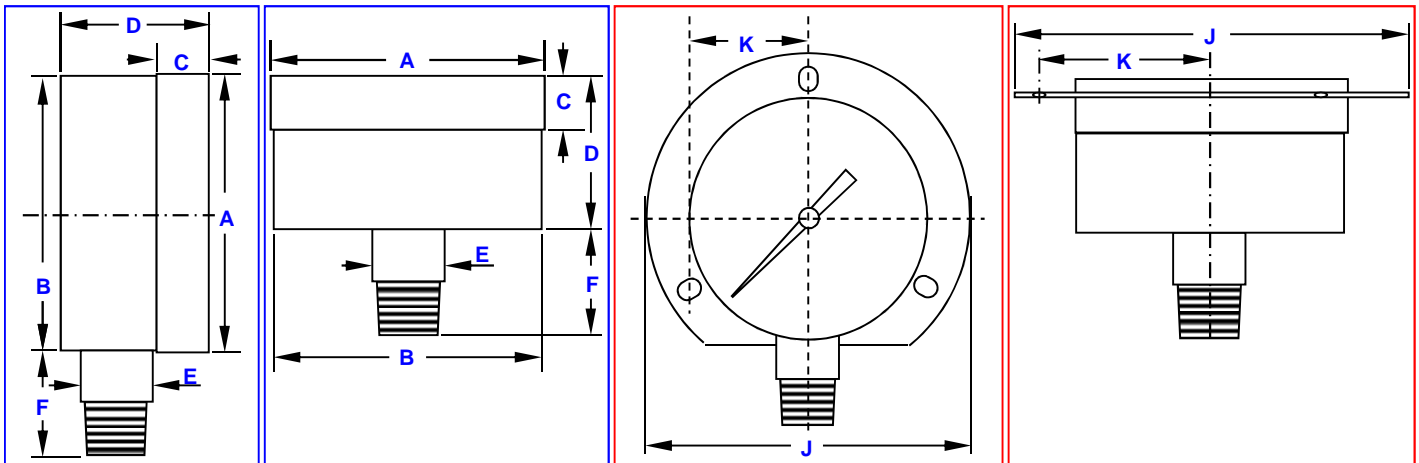
Description

Standard pressure gauge, with stainless steel case, so 241 & 242 is better for critical environment than 201 series.

Material Feature

Case	SS304	Connection	Brass
Ring	SS304	Thread Size	1/8", 1/4", 3/8", 1/2"
Window	241	Acrylic	Movement
	242	Common Glass	
Dial	Aluminium	Bourdon Tube	Phosphorus Bronze
Pointer	Aluminium	Accuracy	2.5% / 2.0% / 1.6%*
		Pres. Range	VAC ~ 9PSI ~ 15000PSI

* 2.0% / 1.6% accuracy is available when required



DIMENSIONS

Code	Dia (mm)	Size (mm)											
		A	B	C	D	E	F	G	H	I	J	K	L
A241/242	40	42.0	41.0	8.0	24.0	11.0	17.0	-	-	-	60.5	26.3	-
B241/242	50	52.5	51.3	10.0	28.0	14.0	23.0	-	-	-	74.2	31.8	-
C241/242	63	63.2	62.0	10.0	28.0	14.0	23.0	-	-	-	84.0	36.7	-
D241/242	75	77.0	75.0	11.0	29.5	14.0	23.0	-	-	-	96.0	42.7	-
E241/242	80	79.0	77.6	11.0	29.5	14.0	23.0	-	-	-	105.5	46.8	-
G241/242	100	100.0	98.5	13.0	36.0	22.0	28.5	-	-	-	131.5	59.3	-

261 & 262 Series

Difference between 261 and 262: 261 has acrylic window, 262 has common glass window.



261A and 262A: Bottom Mount



261B and 262B: Back Mount



261D and 262D: Back Mount with U-clamp



261F and 262F: Back Mount with Front Flange

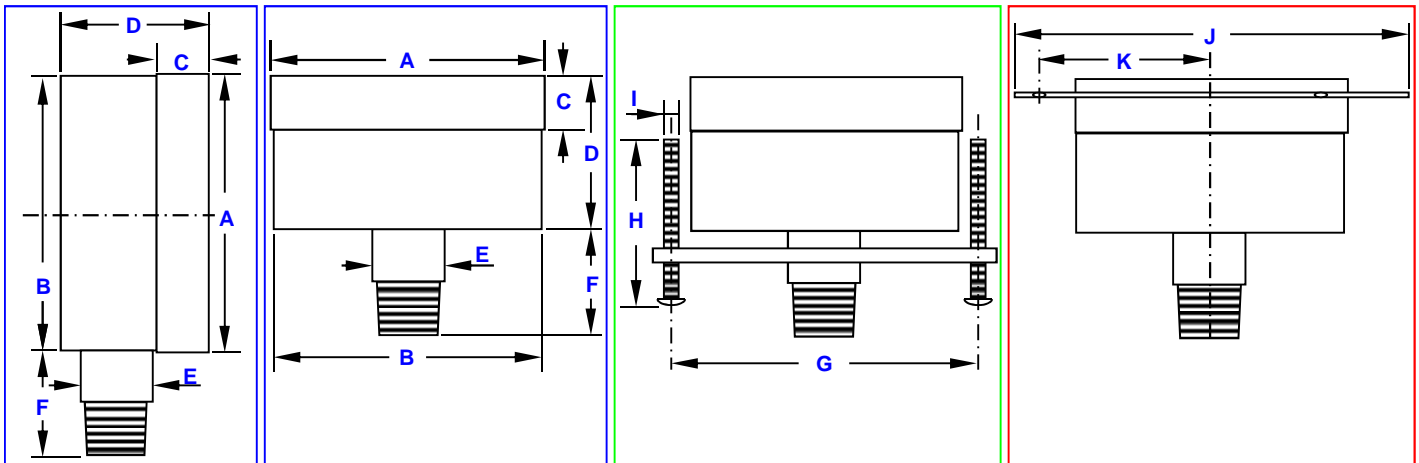
Description

261 & 262 series is designed for critical environment or high pure devices with long durability, it has SS304 housing and SS316 internals, can be used in most corrosive atmospheres and liquid, food industry, water supplies, medical, etc.

Material Feature

Case	SS304	Connection	SS316	
Ring	SS304	Thread Size	1/8", 1/4", 3/8", 1/2"	
Window	261	Acrylic	Movement	SS304
	262	Common Glass	Bourdon Tube	SS316
Dial	Aluminium	Accuracy	2.0% / 1.6% / 1.0%*	
Pointer	Aluminium	Pres. Range	VAC ~ 9PSI ~ 15000PSI	

* 2.0% / 1.6% accuracy is available when required



DIMENSIONS

Code	Dia (mm)	Size (mm)											
		A	B	C	D	E	F	G	H	I	J	K	L
A261/262	40	42.0	41.0	8.0	24.0	11.0	17.0	48.0	37.0	4.0	60.5	26.3	-
B261/262	50	52.5	51.3	10.0	28.0	14.0	23.0	60.0	37.0	5.0	74.2	31.8	-
C261/262	63	63.2	62.0	10.0	28.0	14.0	23.0	71.0	37.0	5.0	84.0	36.7	-
D261/262	75	77.0	75.0	11.0	29.5	14.0	23.0	-	-	-	96.0	42.7	-
E261/262	80	79.0	77.6	11.0	29.5	14.0	23.0	-	-	-	105.5	46.8	-
G261/262	100	100.0	98.5	13.0	36.0	22.0	28.5	-	-	-	131.5	59.3	-

301 & 311 Series



301A: Bottom Mount



301B: Back Mount

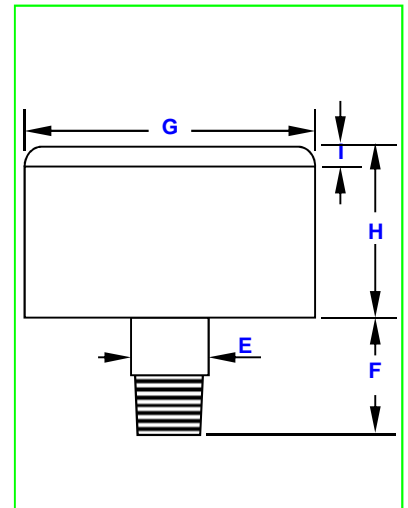
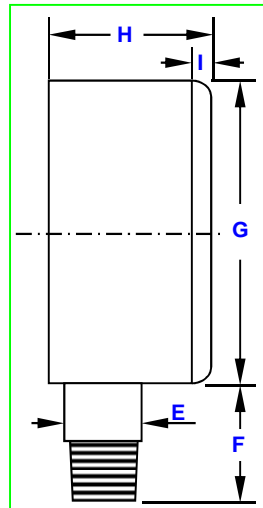
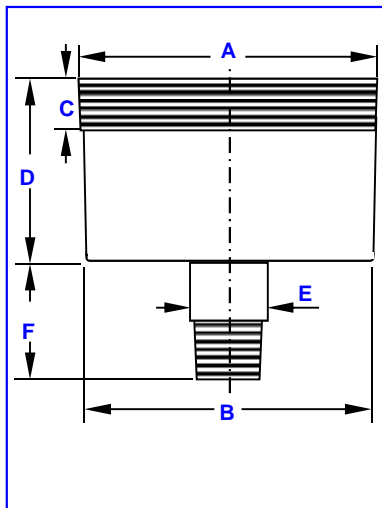
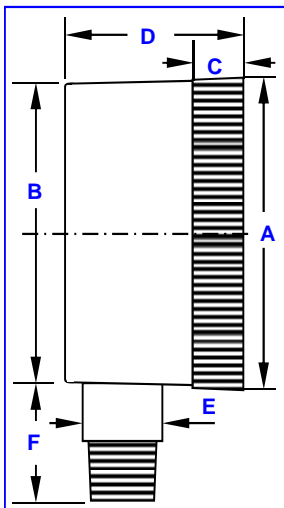


311A: Bottom Mount



311B: Back Mount

Description	Material Feature			
301 & 311 series is designed for general purpose of industrial and daily use at low cost.	Case	ABS	Connection	Brass
	Ring	-	Thread Size	1/8", 1/4", 3/8", 1/2"
	Window	Acrylic	Movement	Brass
	Dial	Aluminium	Bourdon Tube	Phosphorus Bronze
	Pointer	Aluminium	Accuracy	2.5% / 2.0% / 1.6%*
			Pres. Range	VAC ~ 9PSI ~ 15000PSI
			* 2.0% / 1.6% accuracy is available when required	



DIMENSIONS

Code	Dia (mm)	Size (mm)											
		A	B	C	D	E	F	G	H	I	J	K	L
A301	40	-	-	-	-	-	-	-	-	-	-	-	-
B301	50	57.5	54.0	8.8	30.0	14.0	23.0	-	-	-	-	-	-
C301	63	-	-	-	-	-	-	-	-	-	-	-	-
A311	75	-	-	-	-	-	-	40.3	24.5	3.4	-	-	-
B311	80	-	-	-	-	-	-	52.5	29.0	2.6	-	-	-
C311	100	-	-	-	-	-	-	62.0	28.5	2.6	-	-	-



401A: Brass Case, Titanium Plated



402A: Steel Case Yellow Plated



403A: Brass Case, Titanium Plated



404A: Steel Case Full Chrome Plated

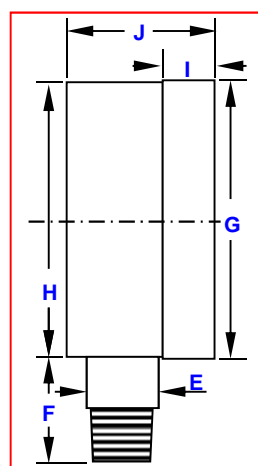
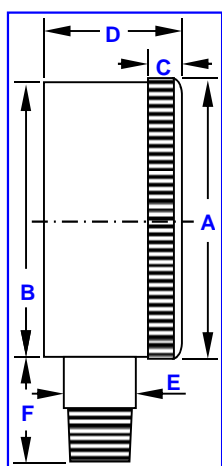
Description

Oxygen pressure gauges are designed for oxygen service, oil is prohibited during production and usage. The components of oxygen gauge are flexible, customer can ask for various components, specs and appearance same as other gauges, as long as it is safety for users.

Material Feature

Case	See Above	Connection	Brass
Ring		Thread Size	1/8", 1/4", 3/8", 1/2"
Window	Polycarbonate	Movement	Brass
Dial	Aluminium	Bourdon Tube	Phosphorus Bronze
Pointer	Aluminium	Accuracy	2.5% / 2.0% / 1.6%*
		Pres. Range	VAC ~ 9PSI ~ 15000PSI

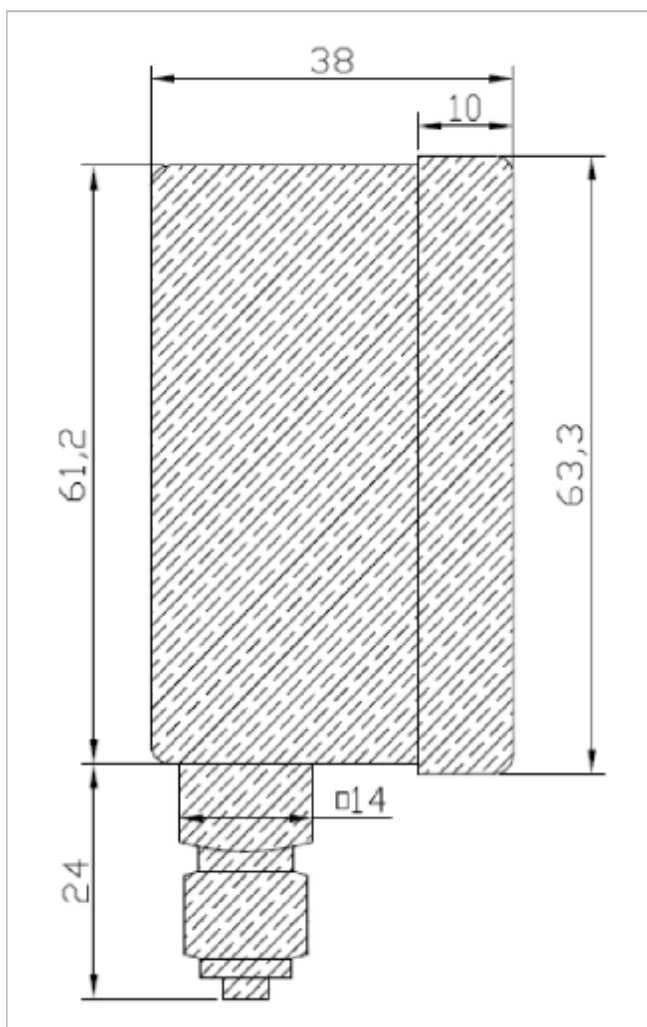
* 2.0% / 1.6% accuracy is available when required



DIMENSIONS

Code	Dia (mm)	Size (mm)										
		A	B	C	D	E	F	G	H	I	J	L
A401/402/432	40	-	-	-	-	11.0	17.0	-	-	-	-	-
B401/402/403	50	57.5	52.3	11.0	30.0	14.0	23.0	-	-	-	-	-
C401/402/432	63	-	-	-	-	14.0	23.0	-	-	-	-	-
X401/402/432	70	72.5	68.0	11.5	30.0	14.0	23.0	-	-	-	-	-
A404	40	-	-	-	-	11.0	17.0	42.0	41.0	8.0	24.0	-
B404	50	-	-	-	-	14.0	23.0	52.5	41.3	10.0	28.0	-
C404	63	-	-	-	-	14.0	23.0	63.2	62.0	10.0	28.0	-
D404	75	-	-	-	-	14.0	23.0	77.0	75.0	11.0	29.5	-

C601A (63MM) CAPSULE GAUGE



Material Feature / 材质说明

Case/表壳	Chromed Steel / 钢壳电镀
Ring/表盖	Chromed Steel / 钢圈电镀
Window/表面	Acrylic / 亚克力
Dial/标牌	Aluminium / 铝
Pointer/指针	Aluminium / 铝
Movement/机芯	Brass / 黄铜
Connection/接头	Brass / 黄铜
Capsule / 膜盒	Brass / 镀铜
Thread Size / 接头螺纹	1/4", M14
Thread Type / 螺纹类型	BSP, BSPT, NPT, METRIC
Pres. Range / 压力范围	60mbar-600mbar
Accuracy / 精度等级	2.5%

- * Bayonet type case available; (可选旋入式表壳)
- * 100mm diameter available; (可供100mm表径)
- * Black steel and SS cases available; (可选黑铁壳或不锈钢壳)
- * Micro adjustable type available; (可选微调功能)
- * Customer dial design acceptable; (可印客户商标)
- * 1.6% accuracy available if required; (如要求可供1.6%精度)

Description / 产品描述

C601A type gauges are used for low pressure ranges, suitable for air, water and other non-corrosion situation.
本系列为微压膜盒表。