

目录 Directory

简介 / Briefing 2~4		
	Low Pressure Sensor 低压传感器	Page 5~6
	High Pressure Sensor 高压传感器	Page 7~8
	Sensored Manometer 传感压力表	Page 9~14
	Simple Manometer 普通压力表	Page 15~16
	Digitron Display 数码管显示器	Page 17
	General Fittings 通用配件	Page 18
	Temperature Sensor 温度传感器	Page 19~20
	Volume Sensor 滑动电阻	Page 21
	LPG Level Sensor LPG液位计	Page 22
	Automotive Harness 车用线束	Page 23~24
	Optional Connectors 常用接插件	Page 25
证书 / Certifications 26		

COMPANY PROFILE

昌能仪表于2006年创立位于中国宁波，2010年迁至中国长沙，是一家综合性的技术型生产企业，拥有CNGauge及沪科(HUKETEK)品牌，厂房面积6500平方米。

CNGauge是天然气汽车专用压力表/传感器领域的一线品牌，在该领域拥有60%的全球市场份额。通过技术升级，我们将天然气汽车压力表的使用寿命从2年提升至6年，产品故障率低于之前任何时候及全球任何厂商。CNGauge也是全球著名的工业压力表品牌，依托于最先进的生产技术，我们立志于在2023年成为全球最大的工业压力表生产商。

沪科(HUKETEK)品牌的汽车及工业领域的温度传感器、天然气汽车喷轨、车用线束等产品已被客户广泛接受。

我们强大的研发能力是对客户最好的保障！

我们通过ISO9001认证，并持有多份ISO15500及ECE-R110证书，以及数十份专利。

CNG Part was created in Ningbo China in Y2006 and moved to Changsha in Y2010, We are a comprehensive manufacturer of technical driven, own brand of CNGauge & HUKETEK for different products, factory house 6500 sq meters.

CNGauge is the leading brand of CNG manometers and Sensors in the world, obtain market share of 60% in global NGV market. Through technology improvements, we increase the durability of manometers from 2 years to 6 years, and failure rate has been lower than ever before and any others in the world. CNGauge is also the famous brand of industrial pressure gauges in the world, based on the most advanced production technology, our aim is to be the largest supplier in this field by year of 2023.

HUKETEK is a popular brand in the field of temperature sensors for automotive and industrial, rail injectors for NGV, wire harness for automotive.

Our strong R&D is the best guarantee to our clients !

We are ISO9001 certificated, holding multiple ISO15500 & ECE-R110 certificates, as well as dozens of patents.

研发 / R&D

昌能仪表拥有强大的研发团队，精通结构、电路方面的综合性开发设计，并具备金相、应力等基础学科的分析能力，拥有数十项产品核心专利技术。

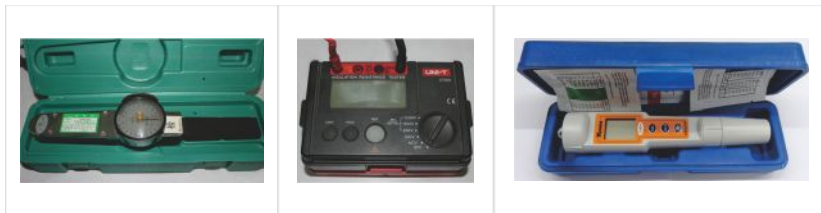


We have powerful research team, master capacity of structure design and circuit design, have the basic technology in analysis of metallographic, stress state etc, own tens of important patents.



我们有齐备的检测工具及仪器，可达到如下测量精度：

- 尺寸：0.001mm
- 压力：读数的0.2% (-1~1000bar)
- 重量：0.01克
- 电压：0.001v
- 扭力：0.5N.m
- 电导率：0.01uS
- 酸碱度：0.01pH
- 温度：0.1°C (-40~1300°C)



同时还具备振动、示波、内外螺纹、孔径、深度、内槽等方面的检测能力。

We have various instruments and testers, accuracy upto below: diameter, depth, slot etc.



- Dimension: 0.001mm
- Pressure: 0.2% of reading (-1~1000bar)
- Weight: 0.01gram
- Volt: 0.001v
- Toque: 0.5N.m
- Conductivity: 0.01uS
- pH value: 0.01pH
- Temperature: 0.1°C (-40~1300°C)

We also can check vibration, oscillograph, inner/outer thread, diameter, depth, slot etc.



实验室 / Lab



影像测量仪
Quadratic measurement



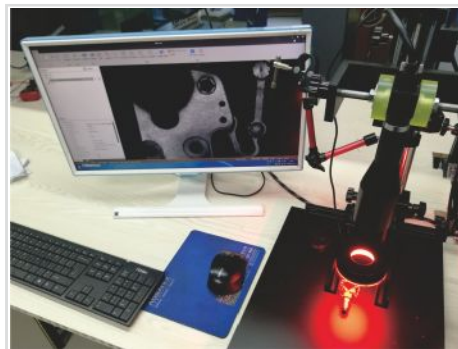
金相显微镜
Metallographic microscope



盐雾试验机
Salt Spray Tester



振动试验台
Vibration Test Stand



视觉分析、实验
Visual analysis/research



弹簧测试仪
Spring tester



高低温试验箱
High/low temperature
test chamber



高精度恒温油槽
High accuracy
thermostatic oil bath



线束拉力试验机
wire harness
tensile tester



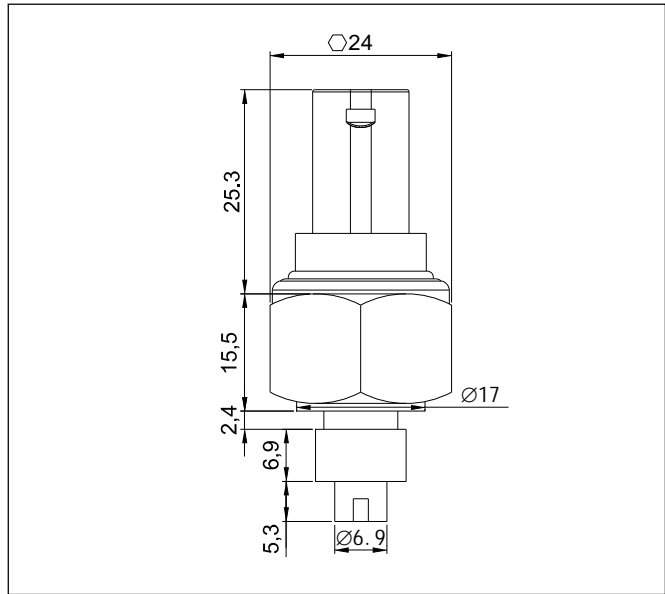
压力寿命试验台
Pressure
durability tester

温度+低压传感器

Low Pressure + Temperature Sensor



TPS400



规格参数

应用领域： CNG, LPG, LNG, 空气
 壳体材质： 铝
 压力(绝压)： 0~400kPa
 精度： 温度1%，压力1%。
 温度补偿： 是
 压力响应时间： 1ms
 温度传感器： NTC热敏10KΩ (B25/50=3950)
 温度响应时间： 2s
 工作温度： -40~120℃
 接口螺纹： M12x1.25 (默认), M12x1
 接插件类型： C4
 对插型号： AMP 1-967640-1
 爆破压力： 1600kPa
 防护等级： IP67

Specifications

Application: CNG, LPG, LNG, AIR
 Body Material: Aluminium
 Pressure (absolute): 0~400kPa
 Accuracy: 1% for pres. & temp.
 Thermal compensation: Yes
 Pressure response time: 1ms
 Temperature sensor: NTC 10KΩ (B25/50=3950)
 Temperature response time: 2s
 Working Temp: -40~120℃
 Socket Thread: M12x1.25 (default), M12x1
 Connector type: C4
 Mate Connector: AMP 1-967640-1
 Burst Pressure: 1600kPa
 Protection: IP67

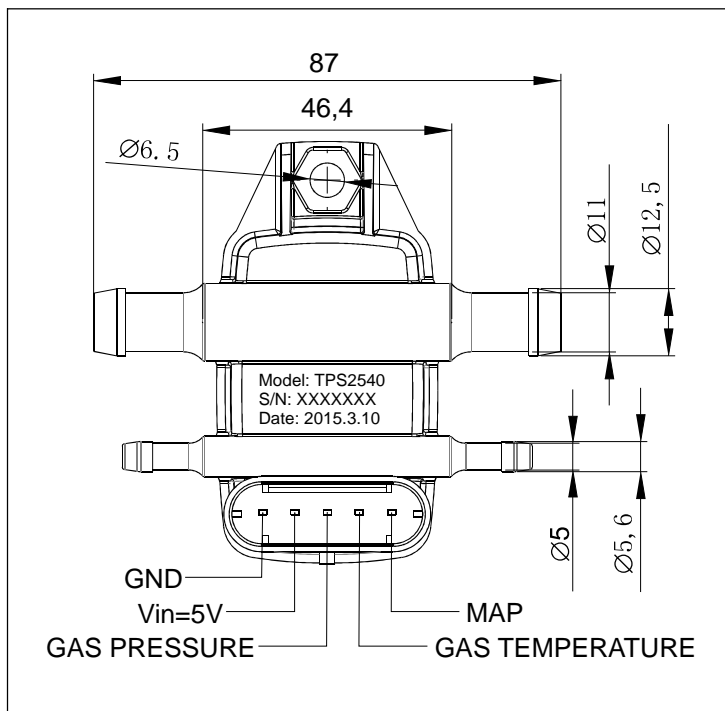
信号参数 / Output Specifications:

信号类型 Signal Code	输入电压 Input Volt	输出计算公式 Output Formular	输出描述 Output Description
-L1(default)	5v	$V_{out}=V_{in}(5v)*0.2*P$ (kPa)/100	20kPa=0.2v, 200kPa=2.00v, 400kPa=4.00v
-L2	5v	$V_{out}=V_{in}(5v)*(0.002421*P$ (kPa)-0.00842)	20kPa=0.2v, 200kPa=2.38v, 400kPa=4.80v

温度+低压传感器 Low Pressure + Temperature Sensor



TPS2540



规格参数

应用领域：	CNG, LPG, LNG, 空气
壳体材质：	尼龙
压力(绝压)：	0~250 + 0-400kPa
精度：	温度1%，压力1%.
温度补偿：	是
压力响应时间：	1ms
温度传感器：	NTC热敏10KΩ (B25/50=3950)
温度响应时间：	2s
工作温度：	-40~120°C
接口螺纹：	5mm & 12mm软管
接插件类型：	1.5x5
对插型号：	AMP 282089-1
爆破压力：	4x
防护等级：	IP67


Specifications

Application:	CNG, LPG, LNG, AIR
Body Material:	Plastic
Pressure (absolute):	0~250 + 0-400kPa
Accuracy:	1% for pres. & temp.
Thermal compensation:	Yes
Pressure response time:	1ms
Temperature sensor:	NTC 10KΩ (B25/50=3950)
Temperature response time:	2s
Working Temp:	-40~120°C
Socket Thread:	5mm & 12mm pipe
Connector type:	1.5x5
Mate Connector:	AMP 282089-1
Burst Pressure:	4x
Protection:	IP67

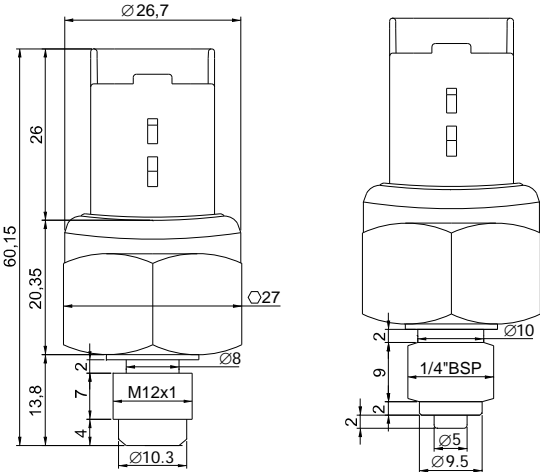
信号参数 / Output Specifications:

信号类型 Signal Type	工作电压 Input Volt	输出计算公式 Output Formular	输出描述 Output Description
250kPa	5v	$V_{out} = V_{in}(5v) * (0.0040 * P(kPa) - 0.040)$	20kPa=0.2v, 100kPa=1.80v, 250kPa=4.80v
400kPa	5v	$V_{out} = V_{in}(5v) * (0.002421 * P(kPa) - 0.00842)$	20kPa=0.2v, 200kPa=2.38v, 400kPa=4.80v


高压传感器
High Pressure Sensor



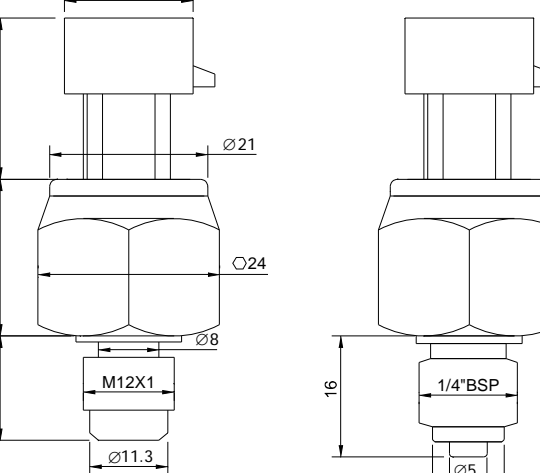
HTS260-xx
对插型号: FCI 211PC032S0049
Mate with:




Technical drawings showing front and side views of the HTS260-xx sensor. Dimensions include: top diameter $\varnothing 26.7$, total height 26, main body height 60.15, hexagonal section height 20.35, bottom diameter $\varnothing 27$, mounting hole diameter $\varnothing 8$, bottom diameter $\varnothing 10.3$, and thread M12x1. The side view shows a 1/4" BSP connection with diameters $\varnothing 10$, $\varnothing 9.5$, and $\varnothing 5$.



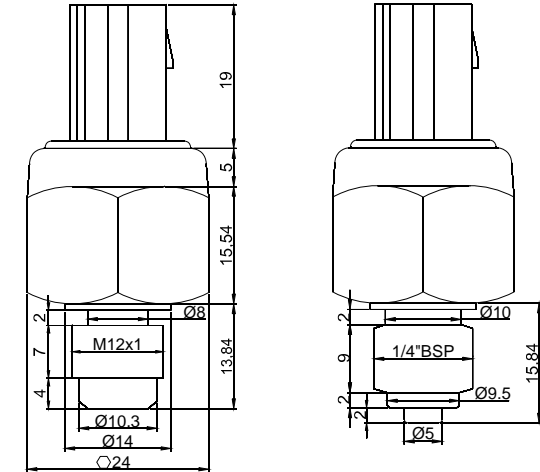
HTS260-xx-M
对插型号: Delphi 12065287
Mate with:



Technical drawings showing front and side views of the HTS260-xx-M sensor. Dimensions include: top diameter $\varnothing 17$, total height 21.3, main body height 20.74, hexagonal section diameter $\varnothing 24$, mounting hole diameter $\varnothing 8$, bottom diameter $\varnothing 11.3$, and thread M12x1. The side view shows a 1/4" BSP connection with diameters $\varnothing 16$, $\varnothing 9.5$, and $\varnothing 5$.



HTS260-xx-N
对插型号: AMP 2-967642-1
Mate with:



Technical drawings showing front and side views of the HTS260-xx-N sensor. Dimensions include: top diameter $\varnothing 19$, main body height 15.54, hexagonal section height 5, mounting hole diameter $\varnothing 8$, bottom diameter $\varnothing 10.3$, and thread M12x1. The side view shows a 1/4" BSP connection with diameters $\varnothing 10$, $\varnothing 9.5$, and $\varnothing 5$.

HTS260高压传感器采用不锈钢壳体封装，压力元件采用瑞士陶瓷方案，在稳定性、精度、线性度方面均有优异表现。

HTS260 Series high pressure sensor use stainless steel body, the pressure chip is ceramic from Switzerland. This is a stable, durable, linear and accurate sensor.

技术参数

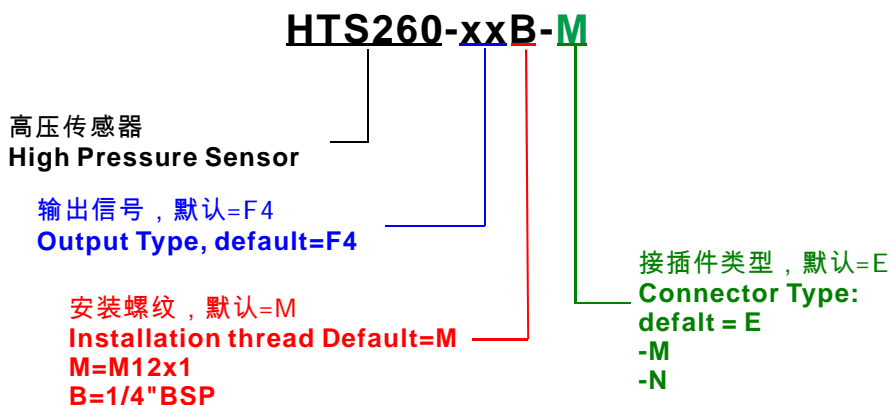
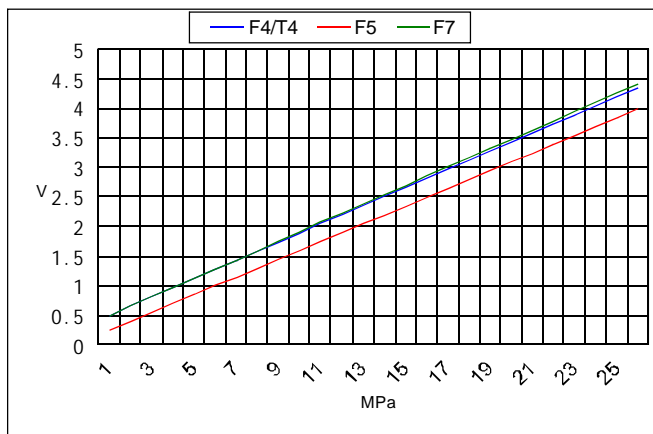
工作压力: 0-260bar, 其它范围可供
 爆破压力: >520bar
 精度: 1.6% F.S.@25°C, 0.5%可供
 线性度: 0.5%
 工作温度: -40~120°C
 使用寿命: 300,000次
 安装螺纹: M12*1, 1/4"BSP.....
 质保: 2年或10万Km
 认证信息: ECE-R110 / ISO15500

Technical Specifications

Working Pressure: 0-260bar, other ranges available
Burst Pressure: >520bar
Accuracy: 1.6% F.S.@25°C, 0.5% available
Linearity: 0.5%
Working Temp: -40~120°C
Durability: 300,000 cycles
Socket: M12*1, 1/4"BSP.....
Warranty: 2 years or 100K Km
Certifications: ECE-R110 / ISO15500

Output Types and Curves

信号类型 Output Type	输入电压 Input Volt	输出电压 Output Volt
-F4	+5V	0bar/0.5V~260bar/4.5V
-F5	+5V	0bar/0.25V~260bar/4.15V
-F7	+5V	0bar/0.5V~250bar/4.41V
-T4	+12V	0bar/0.5V~260bar/4.5V



OEM级线性光电压力表

OEM Class Linear Optical Manometer



ML206E

ML206E在MT206E的基础上研发而来，是全球第一款线性输出的光电式压力表，输出范围可涵盖压力表100%量程，输出精度可达到1.6%，线性度可达到1%，电压范围可以是1-5v，也可以是5-0v。

由于ML系列是电阻分压后的电压信号，前端不能接供电负载，信号端不能再接其它负载。

ML206E is developed on the basis of MT206E, it is the first optical gauge with linear output in the world, output scope covers full of scale, output accuracy is 1.6%, linearity is 1%, output volt can be 0-5v, or 5-0v.

Since the output of ML series is divided volt, power supply load and signal load may effect the accuracy and signal.

技术参数

壳体材料:	钢
接头材料:	黄铜
压力元件:	SS316L
表盖材料:	聚碳酸脂
安装螺纹:	M12*1.5, 1/4" BSP...
工作压力:	0-250bar
工作温度:	-40~120°C
测试压力:	0-400bar
测漏压力:	350bar气压
测爆压力:	520bar液压
爆破压力:	>1000bar
机械精度:	1.6% F.S. @25°C
电子精度:	±10 bar
使用寿命:	150,000次
防护等级:	IP66
质保:	2年或十万km
认证:	ECE-R110 / ISO15500

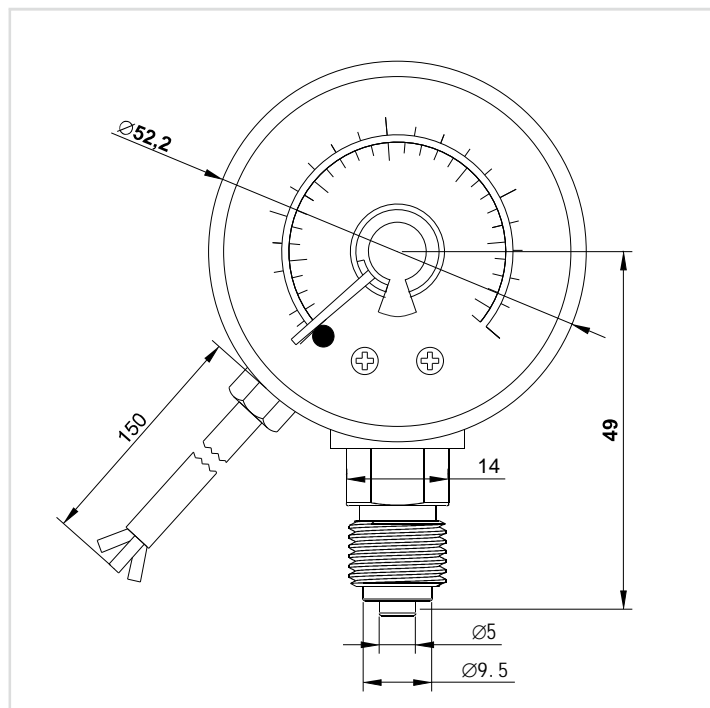
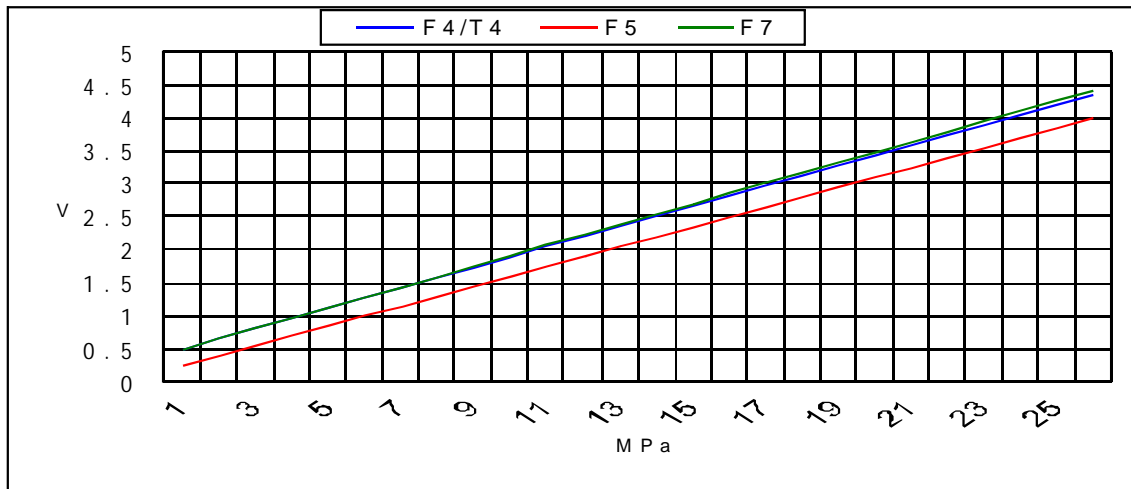
Technical Specifications

Body Material:	Mild steel
Socket Material:	Brass
Pressure element Material:	SS316L
Window Material:	Polycarbonate
Socket:	M12*1.5, 1/4" BSP.....
Working Pressure:	0-250bar
Working Temp:	-40~120°C
Testing Pressure:	0-400bar
Leakage Testing:	350bar air pressure
Burst Testing:	520bar liquid pressure
Burst Pressure:	>1000bar
Mechanical Accuracy:	1.6% F.S. @25°C
Electronic Accuracy:	±10 bar
Durability:	150,000 cycles
Protection:	IP66
Warranty:	2 years or 100K Km
Certifications:	ECE-R110 / ISO15500

信号类型 / Output Type

Output Types and Curves

信号类型 Output Type	输入电压 Input Volt	输出电压 Output Volt
-F4	+5V	0bar/0.5V~260bar/4.5V
-F5	+5V	0bar/0.25V~260bar/4.15V
-F7	+5V	0bar/0.5V~250bar/4.41V
-T4	+12V	0bar/0.5V~260bar/4.5V



OEM级光电压力表

OEM Class Optical Manometer



MT206E

MT206E是全球第一款完全根据天然气汽车使用环境而研发的传感压力表，一体式的内部结构、贴片式的光电元件使得产品精度、寿命、稳定性均大幅提高，其中使用寿命可达5~8年，完全达到压力传感器的水平。质保期内的综合故障率仅0.2%，远低于欧洲同类型产品。

MT206E is the first optical manometer designed completely as per the conditions of NGV, the combined type internal, SMT type optical element increase the accuracy, durability and stability a lot, durability can be upto 5~8 years, arrived at the same level of pressure sensor! During warranty, the failure rate is only 0.2%, which is much lower than similar products from Europe.

技术参数

壳体材料:	钢
接头材料:	黄铜
压力元件:	SS316L
表盖材料:	聚碳酸脂
安装螺纹:	M12*1.5, 1/4" BSP...
工作压力:	0-250bar
工作温度:	-40~120°C
测试压力:	0-400bar
测漏压力:	350bar气压
测爆压力:	520bar液压
爆破压力:	>1000bar
机械精度:	1.6% F.S. @25°C
电子精度:	±10 bar
使用寿命:	150,000次
防护等级:	IP66
质保:	2年或十万km
认证:	ECE-R110 / ISO15500

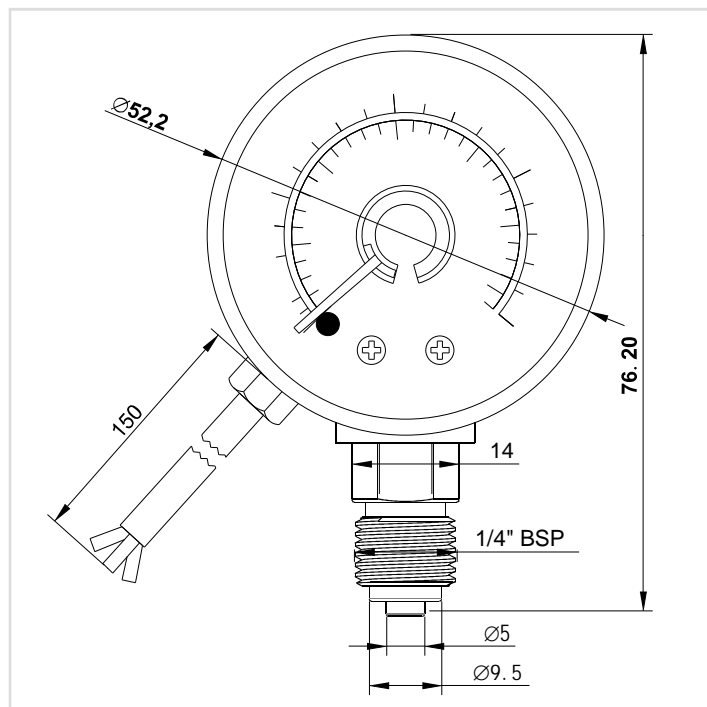
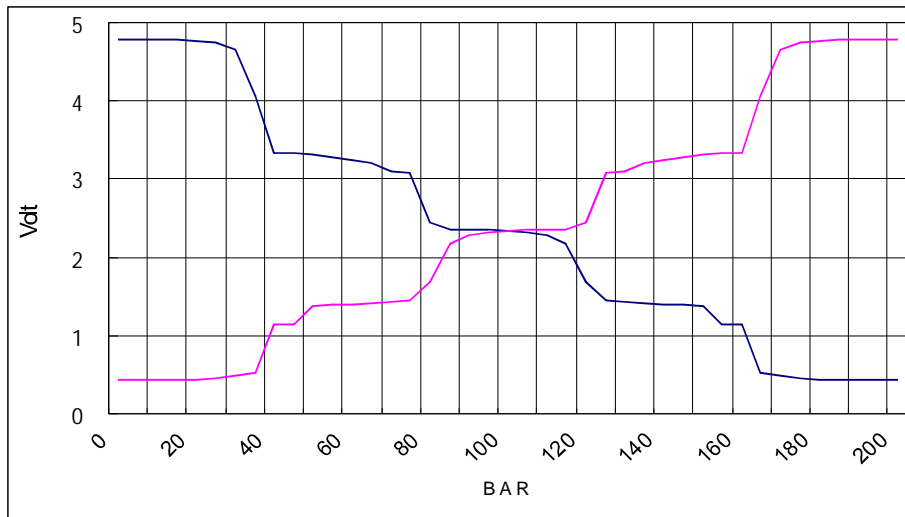
Technical Specifications

Body Material:	Mild steel
Socket Material:	Brass
Pressure element Material:	SS316L
Window Material:	Polycarbonate
Socket:	M12*1.5, 1/4" BSP.....
Working Pressure:	0-250bar
Working Temp:	-40~120°C
Testing Pressure:	0-400bar
Leakage Testing:	350bar air pressure
Burst Testing:	520bar liquid pressure
Burst Pressure:	>1000bar
Mechanical Accuracy:	1.6% F.S. @25°C
Electronic Accuracy:	±10 bar
Durability:	150,000 cycles
Protection:	IP66
Warranty:	2 years or 100K Km
Certifications:	ECE-R110 / ISO15500

信号类型 / Output Type

信号类型 Output Code	输入电压 Input Volt	典型输出(压力±10bar) Typical output (Pressure±10bar)				备注 / Remark
		40bar	80bar	120bar	160bar	
None	+5V	4v	3v	2v	1v	需要外接12K分压电阻至供电端，内置150Ω限流电阻 Need 12K outer resistor to supply, installed 150Ω resistor for LED
-V	+5V	4v	3v	2v	1v	电压输出型，，内置150Ω限流电阻 Volt output directly, installed 150Ω resistor for LED
-12V	+12V	4v	3v	2v	1v	电压输出型，，内置470Ω限流电阻 Volt output directly, installed 470Ω resistor for LED
-371	+12V	9.6v	7.2v	4.8v	2.4v	需要外接12K分压电阻至供电端，内置470Ω限流电阻 Need 12K outer resistor to supply, installed 470Ω resistor for LED
-F	+5V	1v	2v	3v	4v	需要外接12K分压电阻至地线，内置150Ω限流电阻 Need 12K outer resistor to GND, installed 150Ω resistor for LED
-F2	+12V	1v	2v	3v	4v	需要外接4.7K分压电阻至地线，内置470Ω限流电阻 Need 4.7K outer resistor to GND, installed 470Ω resistor for LED
-F3	+12V	1v	2v	3v	4v	电压输出型，，内置470Ω限流电阻 Volt output directly, installed 470Ω resistor for LED

* In order to reduce display error, we strongly recommend that your switch or ECU use typical output.

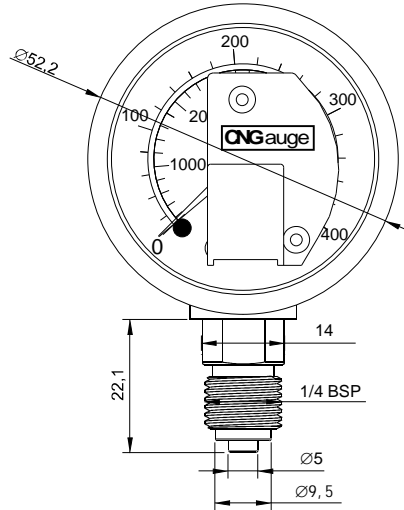


经济型光电传感压力表

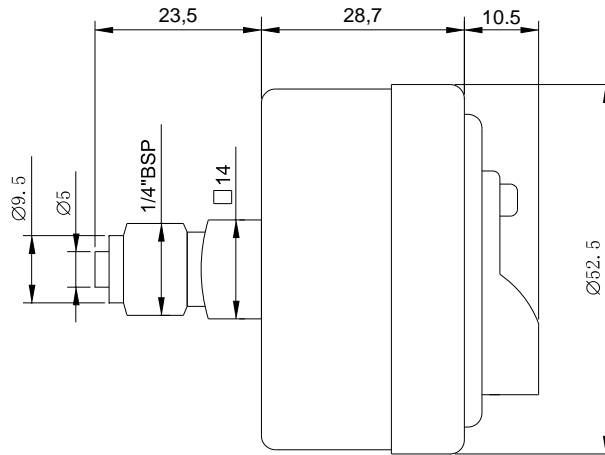
Economic Class Optical Manometer



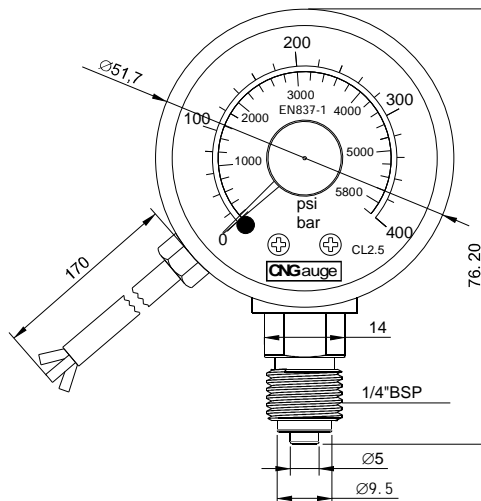
CNG201C
Protection = IP65



CNG201D
Protection = IP65



CNG201E
Protection = IP65



技术参数

壳体材料: 钢
 接头材料: 黄铜
 压力元件: 磷铜
 表盖材料: 聚碳酸脂
 安装螺纹: M12*1.5, 1/4" BSP...
 工作压力: 0-250bar
 工作温度: -40~120°C
 测试压力: 0-400bar
 测漏压力: 350bar气压
 测爆压力: 520bar液压
 爆破压力: >1000bar
 机械精度: 1.6% F.S. @25°C
 电子精度: ±10 bar
 使用寿命: 70,000次
 防护等级: IP65
 质保: 1年或5万km
 认证: ECE-R110 / ISO15500

Technical Specifications

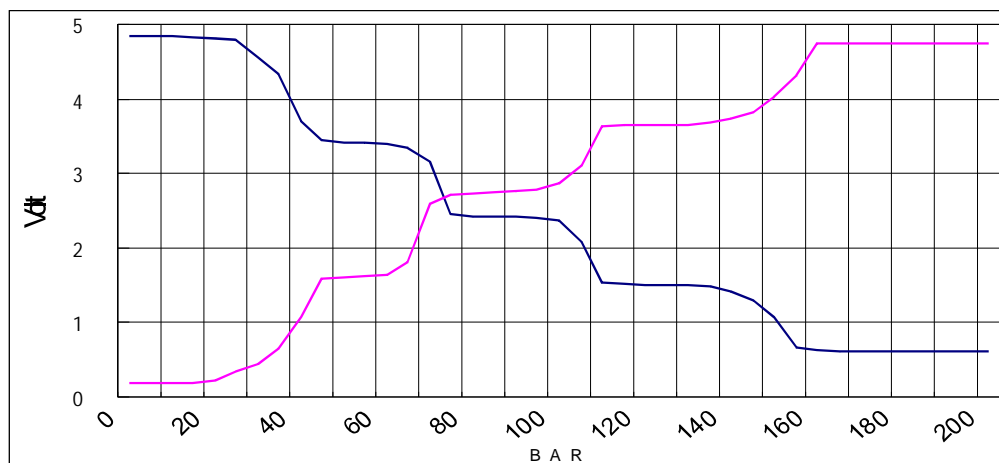
Body Material: Mild steel
Socket Material: Brass
Pressure element Material: Phosphorus bronze
Window Material: Polycarbonate
Socket: M12*1.5, 1/4"BSP.....
Working Pressure: 0-250bar
Working Temp: -40~120°C
Testing Pressure: 0-400bar
Leakage Testing: 350bar air pressure
Burst Testing: 520bar liquid pressure
Burst Pressure: >1000bar
Mechanical Accuracy: 1.6% F.S. @25°C
Electronic Accuracy: ±10 bar
Durability: 70,000 cycles
Protection: IP65
Warranty: 1 years or 50K Km
Certifications: ECE-R110 / ISO15500

输出类型 / Output Type

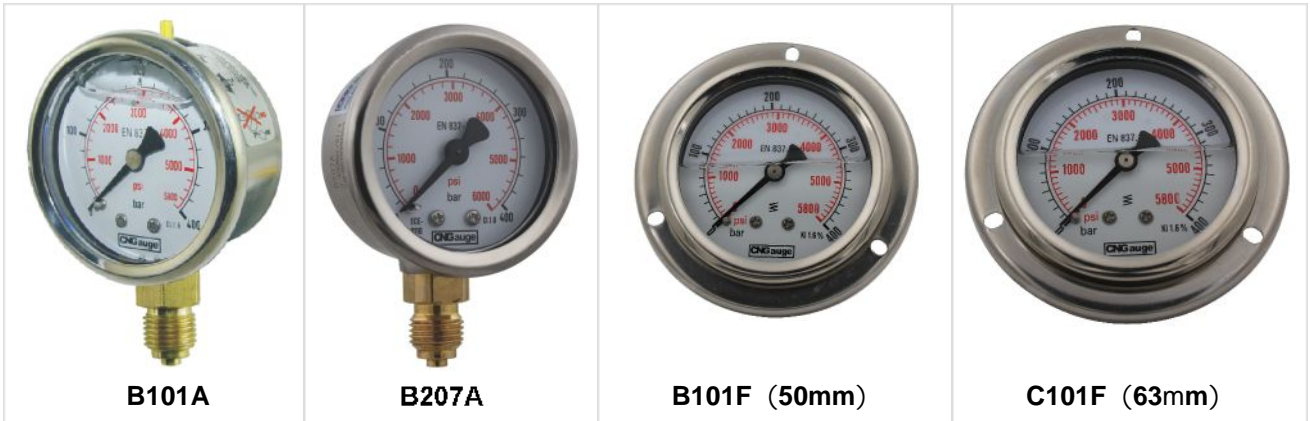
信号类型 Output Code	输入电压 Input Volt	典型输出(压力±10bar) Typical output (Pressure±10bar)				备注 / Remark
		40bar	70bar	110bar	150bar	
None	+5V	4v	3v	2v	1v	需要外接12K分压电阻至供电端, 内置150Ω限流电阻 Need 12K outer resistor to supply, installed 150Ω resistor for LED
-V	+5V	4v	3v	2v	1v	电压输出型, 内置150Ω限流电阻 Volt output directly, installed 150Ω resistor for LED
-12V	+12V	4v	3v	2v	1v	电压输出型, 内置470Ω限流电阻 Volt output directly, installed 470Ω resistor for LED
-371	+12V	9.6v	7.2v	4.8v	2.4v	需要外接12K分压电阻至供电端, 内置470Ω限流电阻 Need 12K outer resistor to supply, installed 470Ω resistor for LED
-F	+5V	1v	2v	3v	4v	需要外接12K分压电阻至地线, 内置150Ω限流电阻 Need 12K outer resistor to GND, installed 150Ω resistor for LED
-F2	+12V	1v	2v	3v	4v	需要外接4.7K分压电阻至地线, 内置470Ω限流电阻 Need 4.7K outer resistor to GND, installed 470Ω resistor for LED
-F3	+12V	1v	2v	3v	4v	电压输出型, 内置470Ω限流电阻 Volt output directly, installed 470Ω resistor for LED

* In order to reduce display error, we strongly recommend that your switch or ECU use typical output.

输出曲线 / OUTPUT CURVE



OEM级普通压力表
OEM Class Simple Manometer

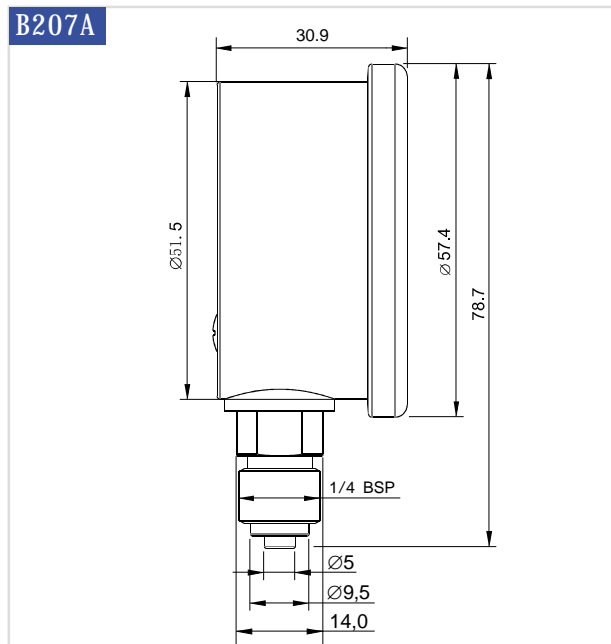
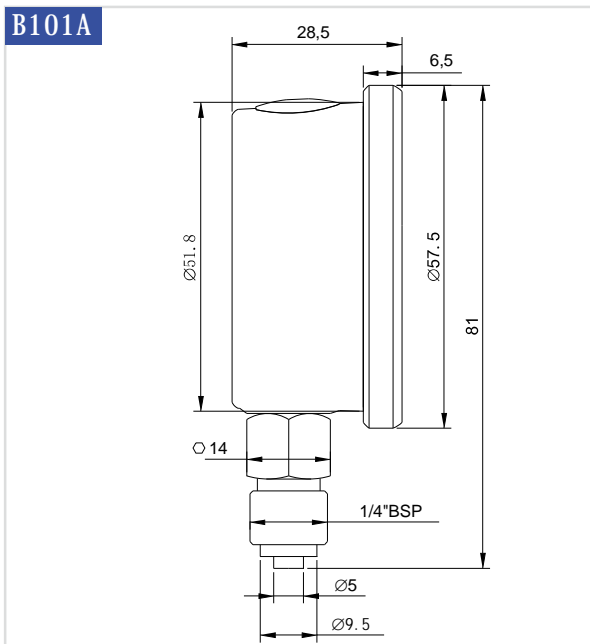


技术参数

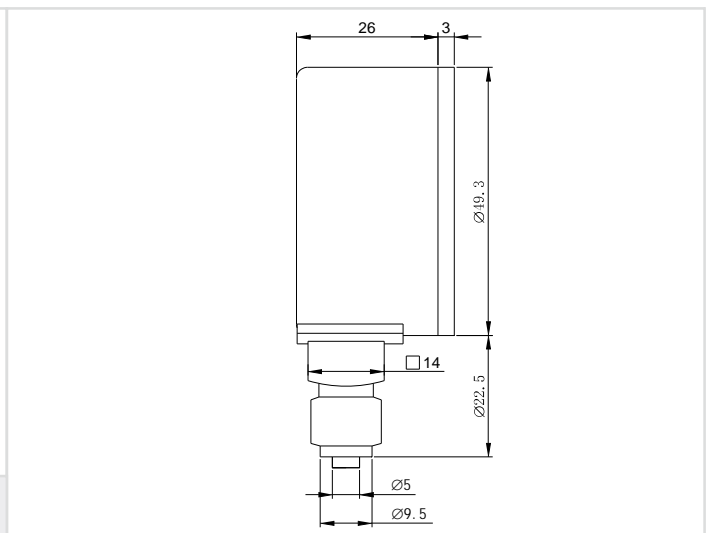
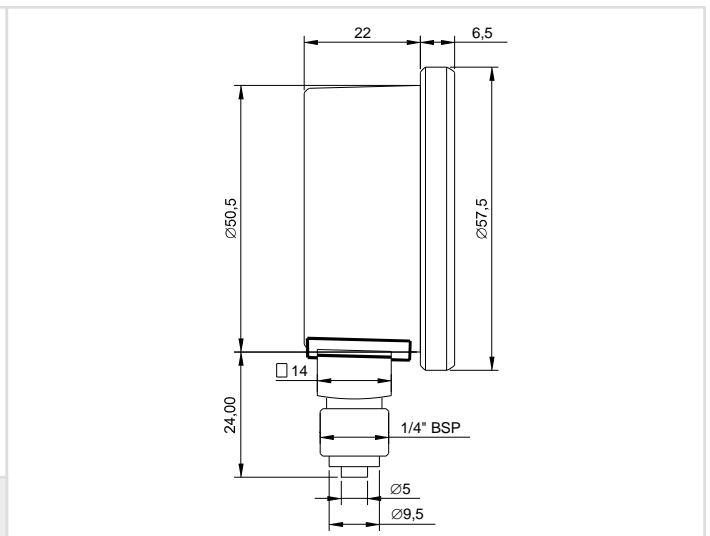
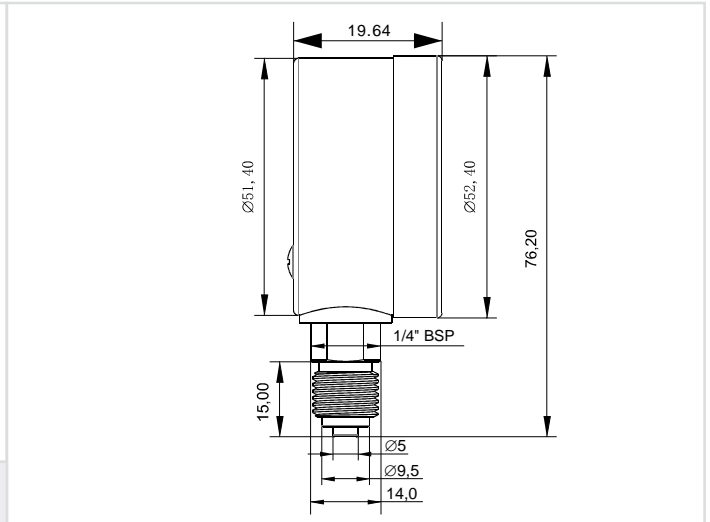
- 壳体材料: 不锈钢
- 接头材料: 黄铜
- 压力元件: SS316L
- 表盖材料: 聚碳酸脂
- 安装螺纹: M12*1.5, 1/4" BSP...
- 工作压力: 0-250bar
- 工作温度: -40~120°C
- 测试压力: 0-400bar
- 测漏压力: 350bar气压
- 测爆压力: 520bar液压
- 爆破压力: >1000bar
- 机械精度: 1.6% F.S. @25°C
- 质保: 1年或5万km
- 认证: ECE-R110 / ISO15500

Technical Specifications

- Body Material: SS304
- Socket Material: Brass
- Pressure element Material: SS316L
- Window Material: Polycarbonate
- Socket: M12*1.5, 1/4" BSP.....
- Working Pressure: 0-250bar
- Working Temp: -40~120°C
- Testing Pressure: 0-400bar
- Leakage Testing: 350bar air pressure
- Burst Testing: 520bar liquid pressure
- Burst Pressure: >1000bar
- Mechanical Accuracy: 1.6% F.S. @25°C
- Warranty: 1 years or 50K Km
- Certifications: ECE-R110 / ISO15500



经济型普通压力表
Economic Class Simple Manometer



数码管显示器

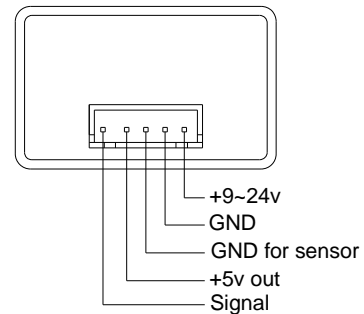
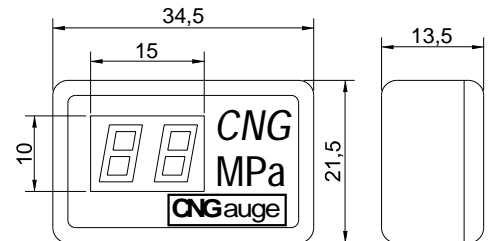
Digitron Display



DD201

规格参数 / Specifications

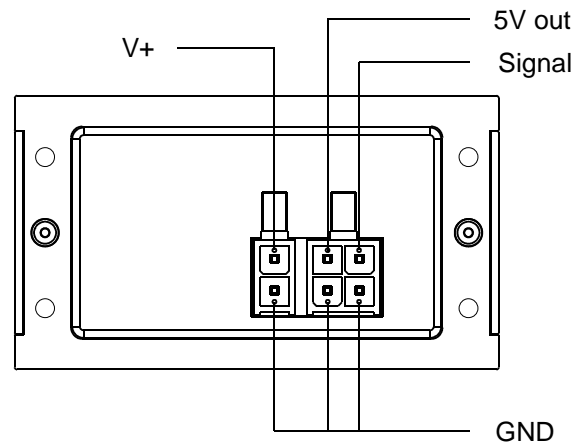
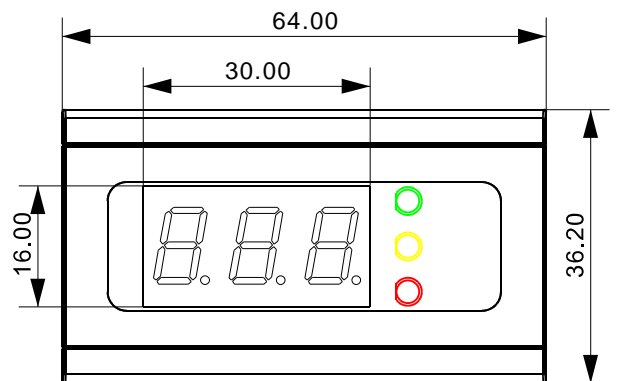
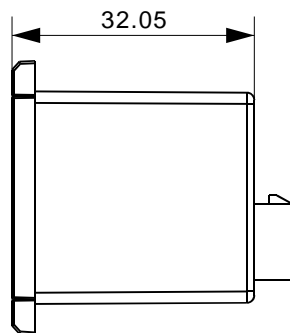
数码管 / Digitron Type :	0.8"x2
插头 / Connector :	XH-5Pin
工作电压 / Working volt :	9~24v
信号输入 / Signal input :	0.5~4.5v
分辨率 / resolution :	1MPa
输入换算 / Input conversion :	$(V_{in}-0.5)/0.1538$
工作温度 / Working temp :	-25~85°C



DD301

规格参数 / Specifications

数码管 / Digitron Type :	0.8"x3
工作电压 / Working volt :	9~24v
信号输入 / Signal input :	0.5~4.5v
分辨率 / resolution :	0.1MPa
输入换算 / Input conversion :	$(V_{in}-0.5)/0.1538$
工作温度 / Working tem :	-25~85°C



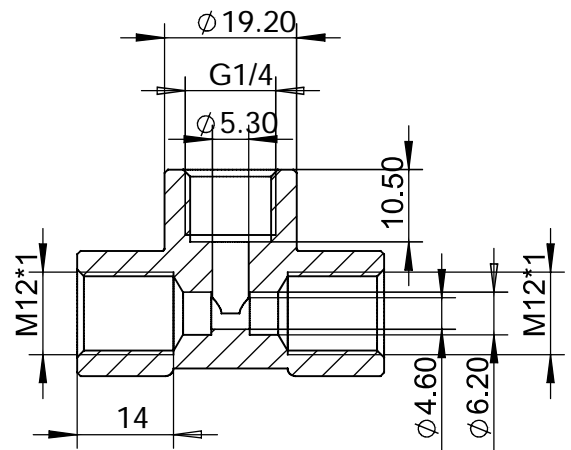
通用配件 / General Fittings



MNCO-3-B4

压力表三通
侧螺纹: M12x1
压力表螺纹: 1/4" BSP

Manometer 3 way adaptor
Side thread: M12x1
Manometer thread: 1/4" BSP



TQ8.5X8

密封圈
材质: 铁镀锌

Sealing ring
Material: steel
Zinc Plated



CNG高压钢管
规格: $\varnothing 6 \times 1$ mm
涂层: PVC

CNG High pressure pipe
Size: $\varnothing 6 \times 1$ mm
Coating: PVC

温度传感器 / Temperature Sensor



8mm管道温度传感器
 壳体材料: 黄铜
 精 度: 1%
 测量范围: -30~125°C

8mm Pipe temperature sensor
 Body: brass
 Accuracy: 1%
 Range: -30~125°C

TS8P3-0X



16mm管道温度传感器
 壳体材料: 黄铜
 精 度: 1%
 测量范围: -30~125°C

16mm Pipe temperature sensor
 Body: brass
 Accuracy: 1%
 Range: -30~125°C

TS16P3-0X



水温传感器
 壳体材料: 黄铜
 精 度: 1%
 测量范围: -30~125°C
 安装螺纹: M5或M6

Water temperature sensor
 Body: brass
 Accuracy: 1%
 Range: -30~125°C
 Installation: M5 or M6

TSM5-0X: M5
TSM6-0X: M6



管道温度传感器
 壳体材料: 黄铜
 精 度: 1%
 测量范围: -30~125°C
 管道直径: 5mm或6mm
 安装螺纹: M12X1.5

Pipe temperature sensor
 Body: brass
 Accuracy: 1%
 Range: -30~125°C
 Pipe size: 5mm or 6 mm
 Installation: M12x1.5

TS5M12-0X: 5mm pipe
TS6M12-0X: 6mm pipe



管道温度传感器
 壳体材料: 铝
 精 度: 1%
 测量范围: -30~125°C
 管道直径: 5mm或6mm
 安装螺纹: M12X1.5

Pipe temperature sensor
 Body: Aluminium
 Accuracy: 1%
 Range: -30~125°C
 Pipe size: 5mm or 6 mm
 Installation: M12x1.5

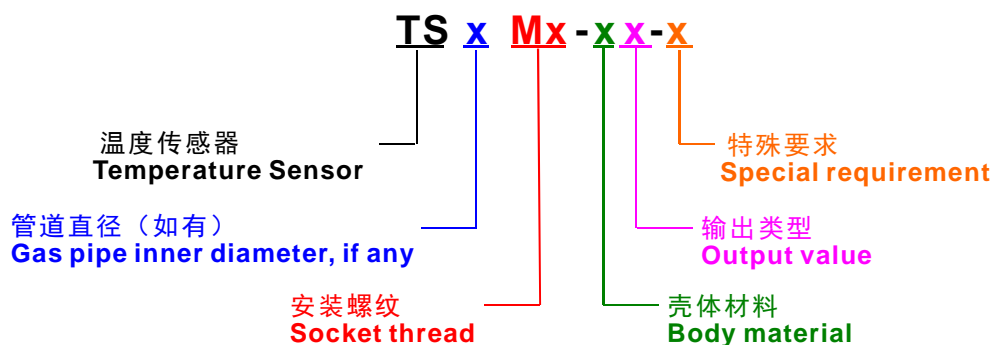
TS5M12-1X: 5mm pipe
TS6M12-1X: 6mm pipe



铂电阻温度传感器
 芯片类型: PT100~PT1000
 壳体材料: SS316L
 精 度: 0.2%
 测量范围: -200~+850°C
 其它参数可按客户要求

Platinum temperature sensor
 Sensor type: PT100~PT1000
 Body: SS316L
 Accuracy: 0.2%
 Range: -200~+850°C
 Others can be customized

车用温度传感器 / Automotive Temperature Sensor




壳体代码 Body Code	材料 Material
0	黄铜 / Brass
1	铝 / Aluminium
2	不锈钢 / Stainless steel

信号代码 Output Code	输出值 Output Value
1	NTC 5KΩ
2	NTC 10KΩ
3	NTC 4.7KΩ
4	NTC 2KΩ
P1	PT10
P2	PT20
P3	PT50
P4	PT100
P5	PT200
P6	PT300
P7	PT500
P8	PT1000
P9	PT2000

滑动电阻

Resistance Sensor

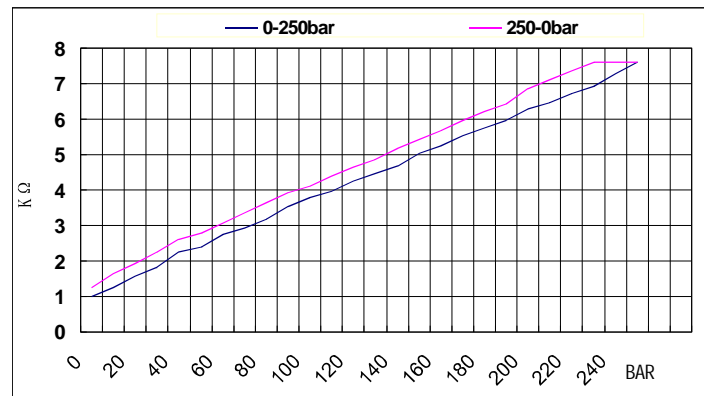


ASB22

Main Specifications:

- Signal type: Resistance
- Working pressure: 0-200bar
- Burst pressure: >1000bar
- Accuracy: 5%F.S. at 25°C
- Thread: 1/4"BSP
- Resistance value: 0-7KΩ, 0-2KΩ, 0-1KΩ

REAL OUTPUT CURVE




- . Brown yellow PCB
- . 26cm x 2 wires
- . White plastic connector x 2

ASB22-R



- . Brown yellow PCB
- . 26cm x 2 wires
- . White plastic + ground plate Ø6mm

ASB22-R-A10



- . Mirror yellow PCB
- . 26cm x 2 wires
- . White plastic connector x 2

ASB22-R-A11



- . Mirror yellow PCB
- . No wire
- . No connector

ASB22-R-A12



- . Mirror yellow PCB
- . 26cm x 2 wires
- . 2P water proof connector

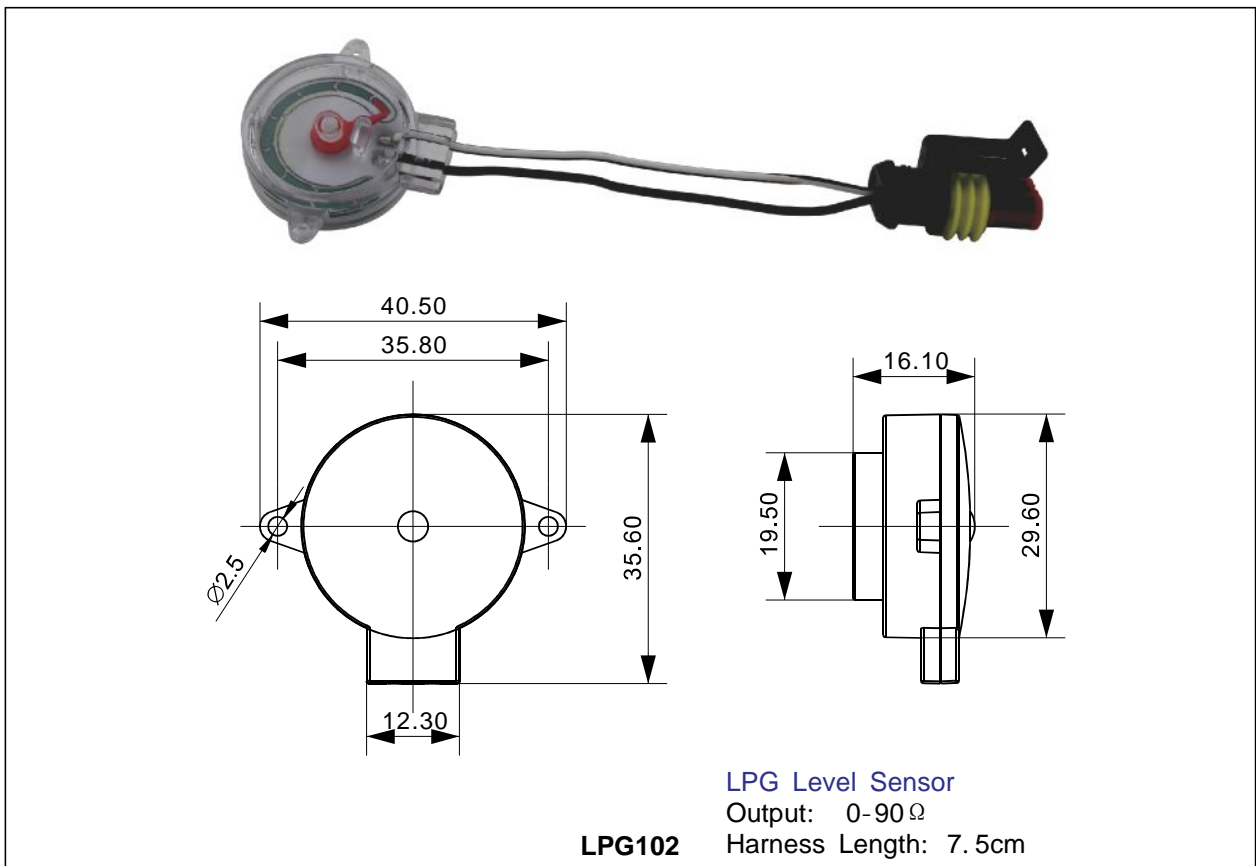
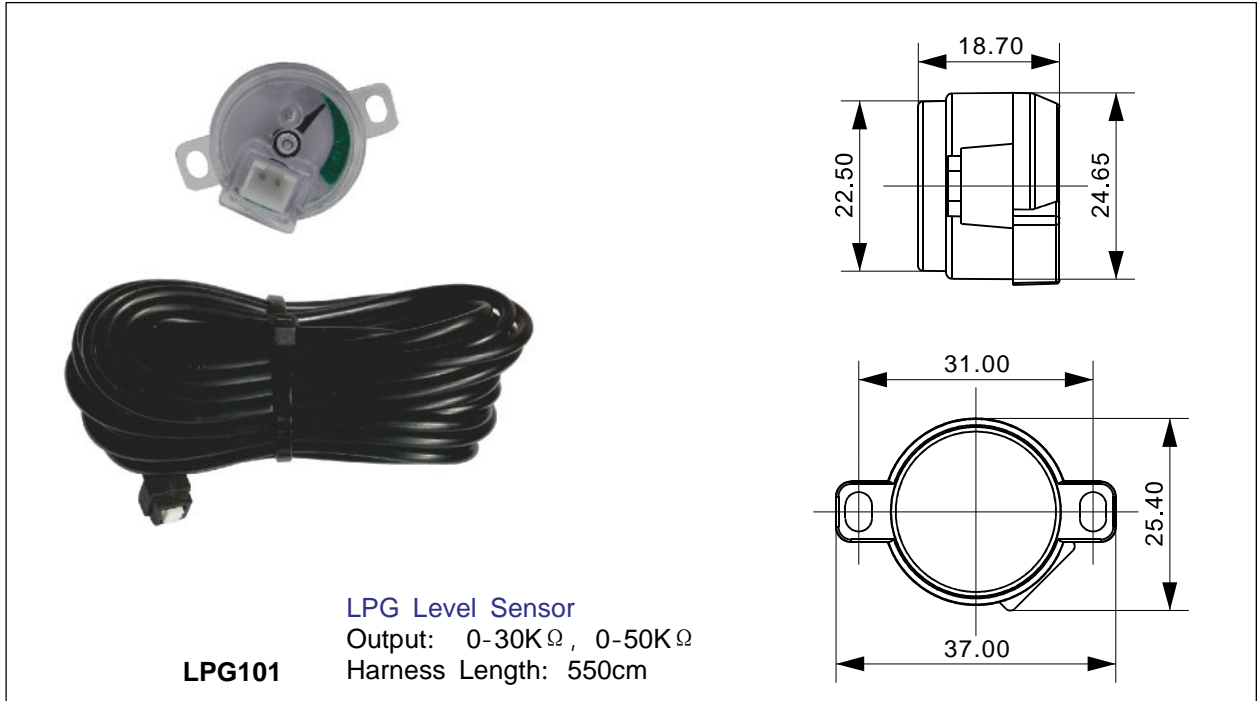
ASB22-R-A13



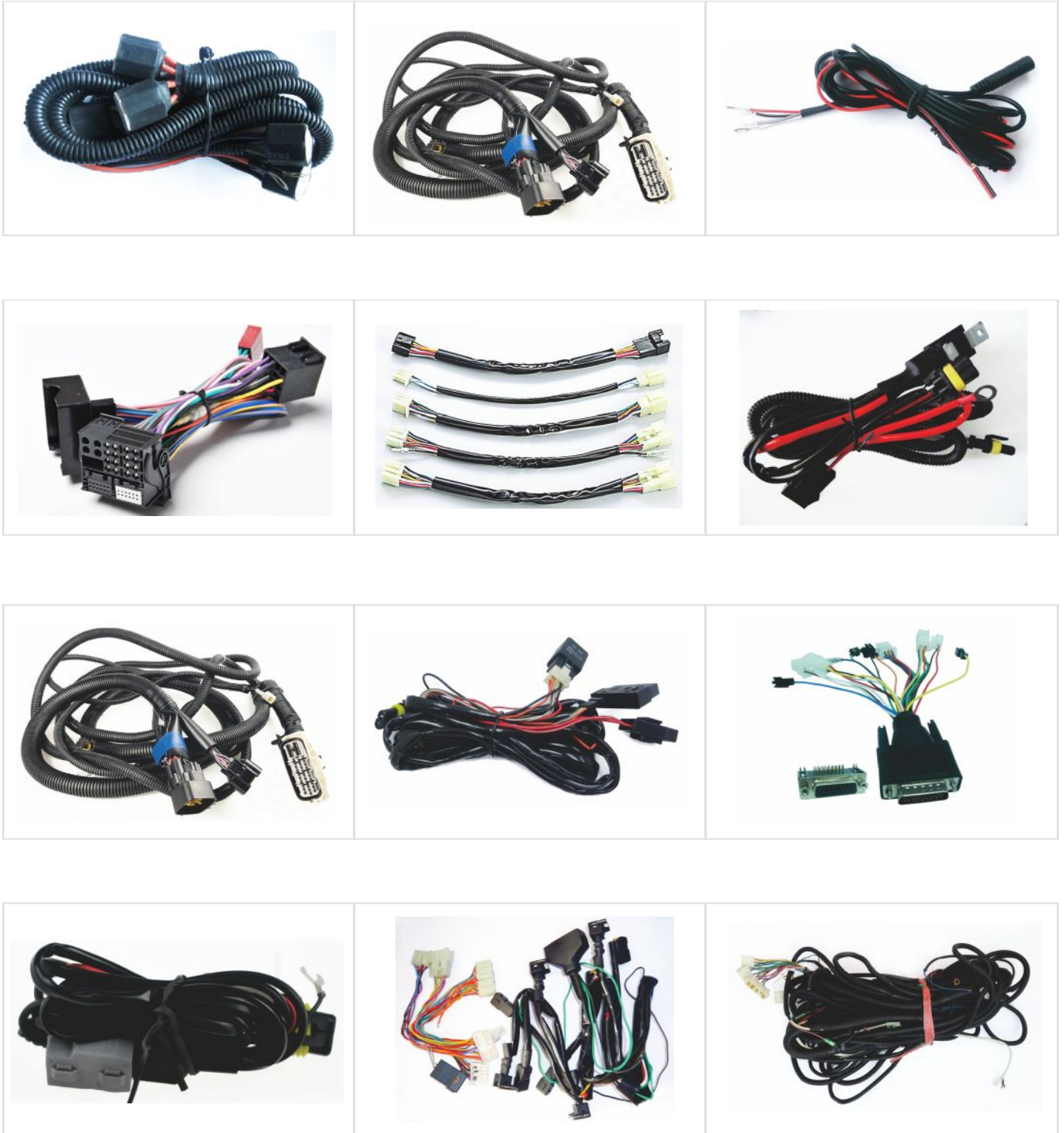
- . Mirror yellow PCB
- . 26cm x 2 wires
- . White plastic + ground plate Ø6mm

ASB22-R-A14

LPG液位计 / LPG Level Sensor



车用线束 / Automotive Harness





常用接插件

Usual Connectors



3A - 3PIN water proof



A3 - 3PIN water proof



2A - 2PIN water proof



A2 - 2PIN water proof



4C - 4PIN water proof



3E - 3PIN water proof



E3 - 3PIN water proof



2E - 2PIN water proof



E2 - 2PIN water proof



F3 - 3PIN water proof



3G - 3PIN simple



G3 - 3PIN simple



4N - 4PIN water proof



3O - 3PIN simple

各类证书 Certifications

