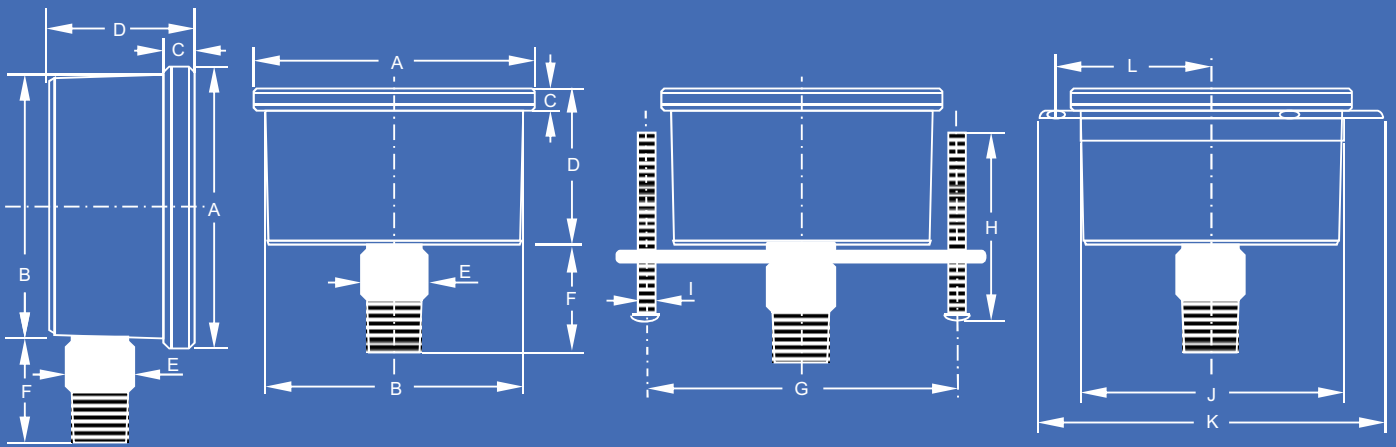


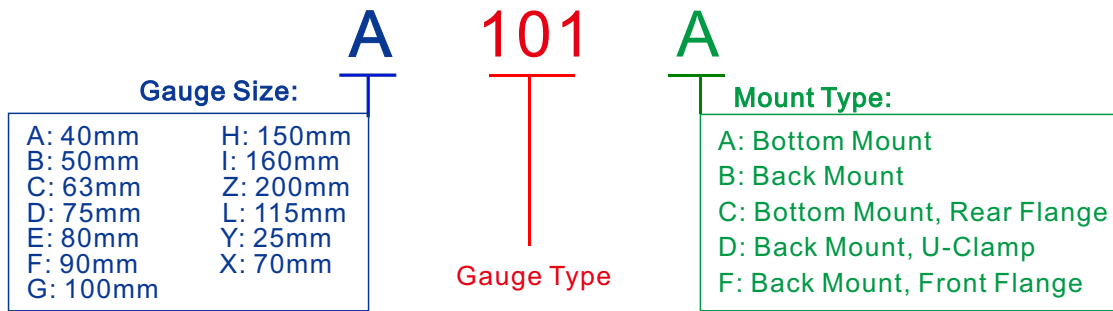
HUKETEK

— 沪科 —



Max pressure up to 2000bar
20 years of manufacturing experience

Model Identifications



Liquid Filled Pressure Gauge



SS Case	1~4
All SS	5~8
All SS, welded case + connection	9~13

Standard Pressure Gauge



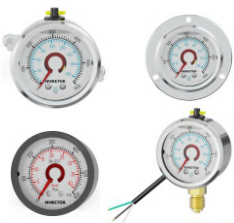
Mild steel case	14~17
Chromed steel case	18~20
SS case	21~22
All SS	23~24
Plastic case	25

Special Gas Pressure Gauge



Oxygen / Acetylene / Refrigeration / Ammonia	26
--	----

Sensored Pressure Gauge⁽²⁷⁾



SS Case	28
All SS	29
Mild Steel Case	30
All SS, welded case + connection	31



Hydrogen Energy Sensed Gauge	32~33
------------------------------------	-------



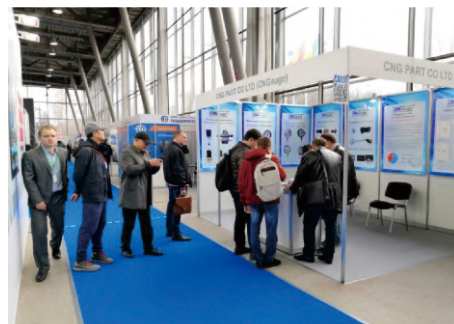
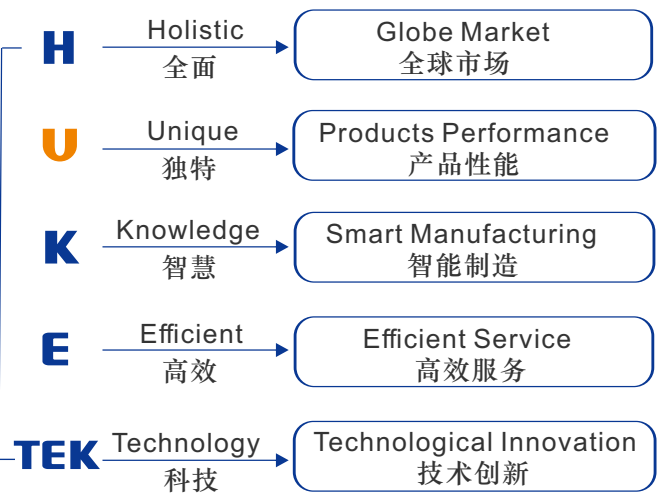
Multi-Function Sensed Gauge	34~35
-----------------------------------	-------

HUKETEK MFG CO LTD

HUKETEK is a leading technology manufacturer of pressure & temperature measuring instruments of more than 20 years, with two brands of HUKETEK and CNGauge.

We have well equipped internal laboratory, we can do most testings under necessary environments for our products.

We have strong R&D capacity, we can meet various requirements of our clients, supply both automotive / industrial grade products to worldwide.



Certifications



Partners

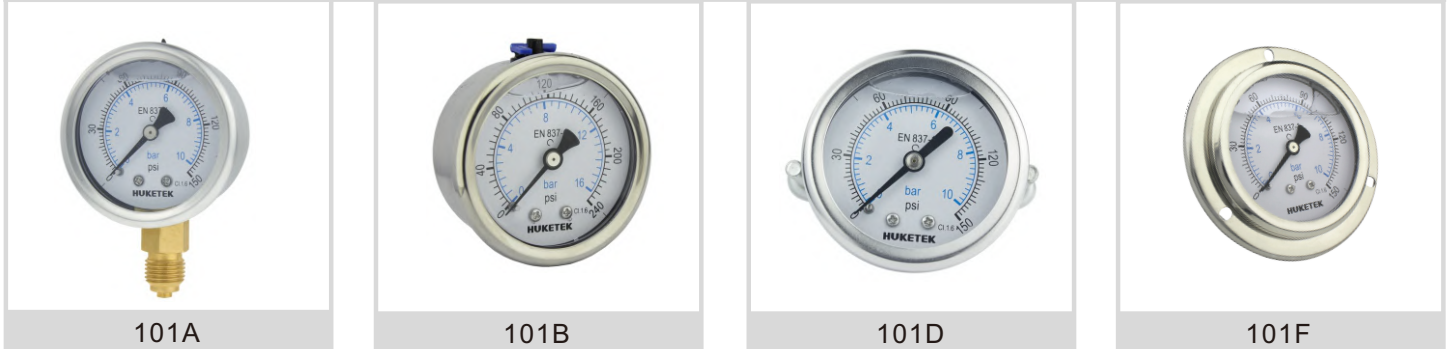


Internal R&D lab equipment

- 1, Metallographic microscope
- 2, Vibration test stand+pressure durability
- 3, High/low temperature test chamber
- 4, Metal composition measurement
- 5, Spring tester
- 6, Tensile tester
- 7, Salt spray tester
- 8, Quadratic measurement
- 9, Visual analysis research
- 10, Pressure durability tester

101 Series - Crimp SS Case Liquid Filled Pressure Gauge

101 Series has SS304 case with crimp bezel, brass internals and glycerine filled. Silicon oil optional.



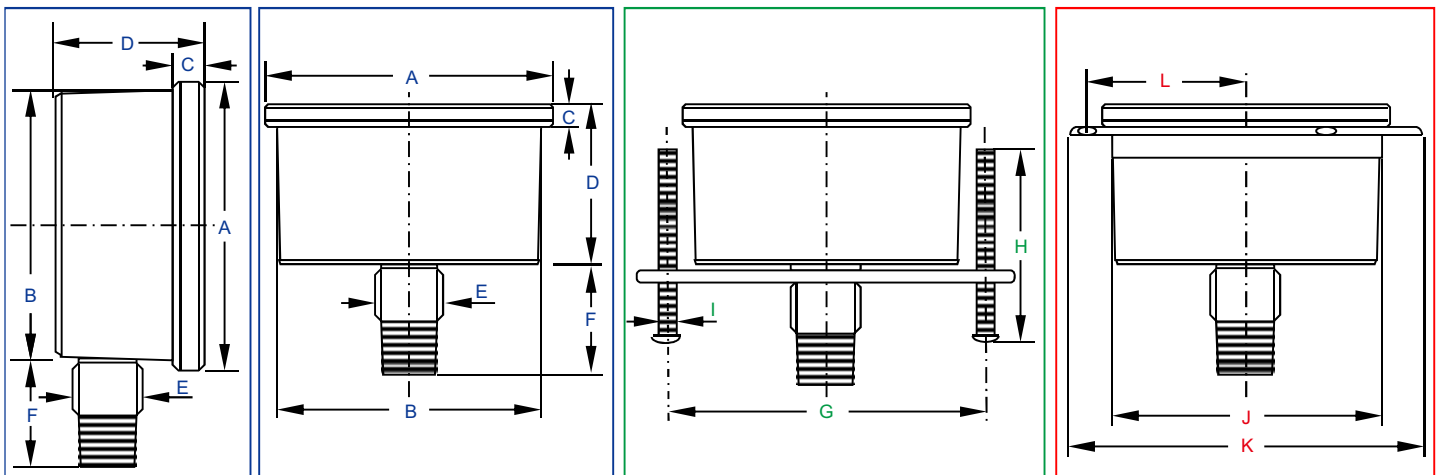
Description

101 series is filled with glycerine/ silicon oil, which are used to resist vibration and pulsation, these gauges are suited to a broad range of plant, process, hydraulic, fluid power, etc.

Material Feature

Case	SS304, Polished	Connection	Brass NPT/BSP/BSPT/Metric
Ring	SS304, Polished	Thread Size	1/8", 1/4", 3/8", 1/2"
Window	Polycarbonate or Tempered Glass	Connection Type	2 Parts
Dial	Aluminium	Movement	Brass
Pointer	Aluminium	Bourdon Tube	Phosphorus Bronze
Accuracy	1.6%/1.0%*	Pres. Range	VAC~9PSI~15000PSI

*90% of the gauges are 1.0% accuracy under automated calibration technology even for 40mm.

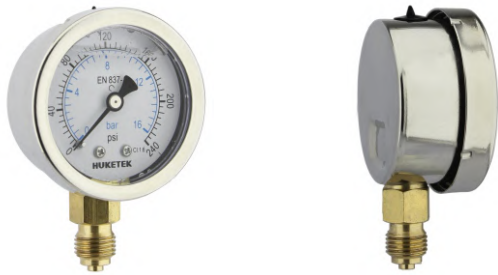


DIMENSIONS

Code	Dia (mm)	Size (mm)											
		A	B	C	D	E	F	G	H	I	J	K	L
A101	40	46.5	41.0	5.0	25.5	11.0	23.0	48.0	37.0	M4	43.0	62.0	26.5
B101	50	58.0	52.0	6.0	29.0	14.0	24.0	60.0	37.0	M5	54.0	73.0	32.0
C101	63	68.0	61.0	6.0	29.0	14.0	24.0	71.0	37.0	M5	63.0	84.0	37.0
D101	75	81.0	74.5	7.0	30.0	14.0	24.0	-	-	-	-	-	-
E101	80	87.0	80.0	7.0	30.0	14.0	24.0	-	-	-	-	-	-
G101	100	108.5	98.5	9.0	37.5	22.0	36.0	-	-	-	99.5	130.0	58.5

103 Series - Bayonet SS Case Liquid Filled Pressure Gauge

103 Series has SS304 case with bayonet bezel, brass internals and glycerine filled. Silicon oil optional.



103A



103B

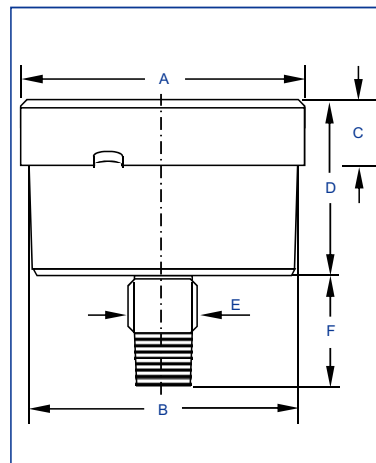
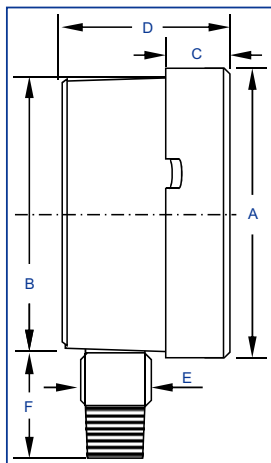
Description

103 series are made by SS case with bayonet bezel, so that the gauge is easier to be repaired. Glycerine /Silicon filled, other features are same as 101 series. Adjustable pointer is optional.

Material Feature

Case	SS304, Polished	Connection	Brass NPT/BSP/BSPT/Metric
Ring	SS304, Polished	Thread Size	1/8", 1/4", 3/8", 1/2"
Window	Polycarbonate or Tempered Glass	Connection Type	2 Parts
Dial	Aluminium	Movement	Brass
Pointer	Aluminium	Bourdon Tube	Phosphorus Bronze
Accuracy	1.6%/1.0%*	Pres. Range	VAC~9PSI~15000PSI

*90% of the gauges are 1.0% accuracy under automated calibration technology even for 40mm.



DIMENSIONS

Code	Dia (mm)	Size (mm)											
		A	B	C	D	E	F	G	H	I	J	K	L
A103	40	-	-	-	-	-	-	-	-	-	-	-	-
B103	50	-	-	-	-	-	-	-	-	-	-	-	-
C103	63	69.0	61.0	10.4	29.0	14	24.0	7	3	M5	63	84	37
D103	75	-	-	-	-	-	-	-	-	-	-	-	-
E103	80	-	-	-	-	-	-	-	-	-	-	-	-
G103	100	111.0	99.5	15.1	37.0	22	36.0	-	-	-	99.5	130	58.5

107 Series - Crimp SS Case Liquid Filled Pressure Gauge

107 Series has SS304 case with crimp bezel, brass internals and one part connection.



107A



107B



107D



107F

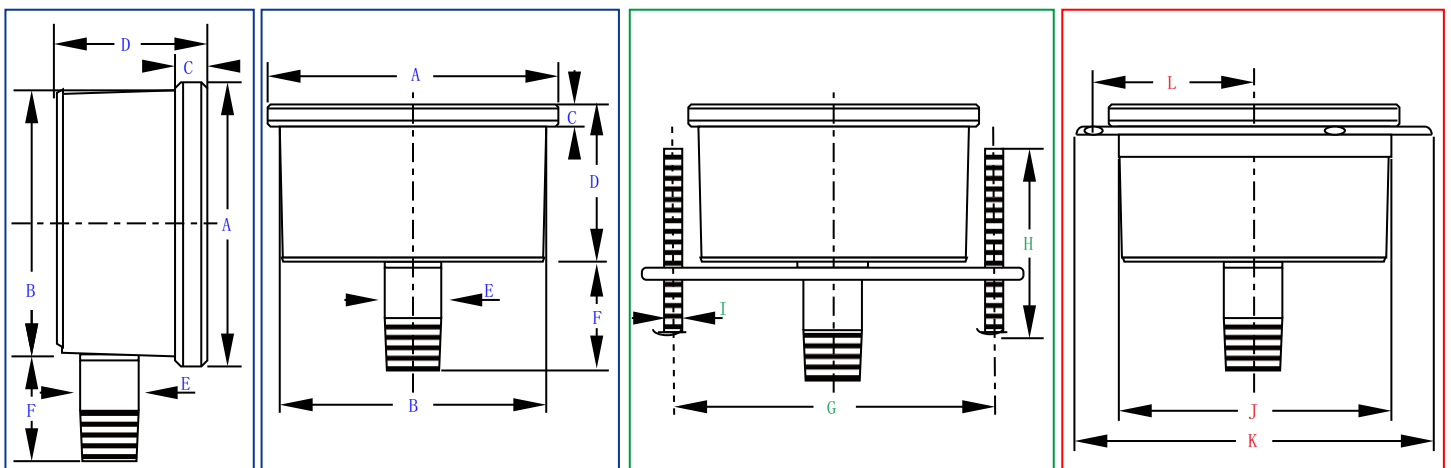
Description

107 series is stainless steel case, brass inner machine. It can be filled with glycerine/Silicon oil which are used to resist vibration and pulsation. These gauges are suited to a broad range of plant, process, hydraulic, fluid power, etc.

Material Feature

Case	SS304, Polished	Connection	Brass NPT/BSP/BSPT/Metric
Ring	SS304, Polished	Thread Size	1/8", 1/4", 3/8", 1/2"
Window	Polycarbonate/ Tempered Glass	Connection Type	1 Part
Dial	Aluminium	Movement	Brass
Pointer	Aluminium	Bourdon Tube	Phosphorus Bronze
Accuracy	1.6%/1.0%*	Pres. Range	VAC~9PSI~15000PSI

*90% of the gauges are 1.0% accuracy under automated calibration technology even for 40mm.



DIMENSIONS

Code	Dia (mm)	Size (mm)											
		A	B	C	D	E	F	G	H	I	J	K	L
A107	40	46.5	41.0	5.0	25.5	11.0	23.0	48.0	37.0	M4	43.0	62.0	26.5
B107	50	58.0	52.0	6.0	29.0	14.0	24.0	60.0	37.0	M5	54.0	73.0	32.0
C107	63	68.0	61.0	6.0	29.0	14.0	24.0	71.0	37.0	M5	63.0	84.0	37.0
D107	75	81.0	74.5	7.0	30.0	14.0	24.0	-	-	-	-	-	-
E107	80	87.0	80.0	7.0	30.0	14.0	24.0	-	-	-	-	-	-

G107 Series - Crimp SS Case Liquid Filled Pressure Gauge

G107 Series has SS304 case with crimp bezel, brass internals and one part connection.



G107A



G107B



G107D



G107F

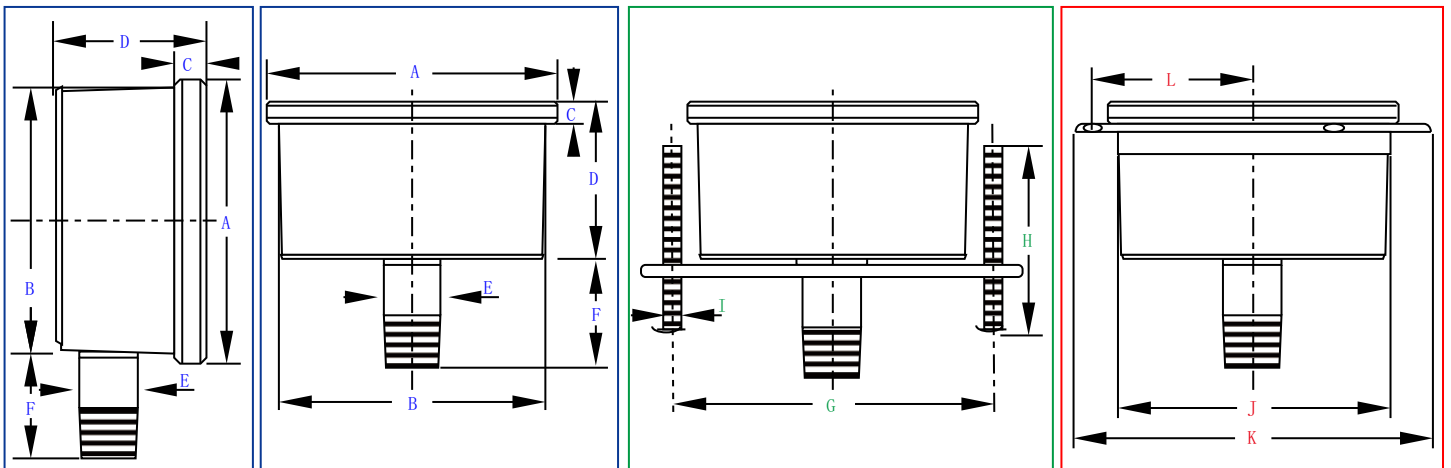
Description

G107 series is stainless steel case, brass inner machine. It can be filled with glycerine/Silicon oil which are used to resist vibration and pulsation. These gauges are suited to a broad range of plant, process, hydraulic, fluid power, etc.

Material Feature

Case	SS304, Polished	Connection	Brass NPT/BSP/BSPT/Metric
Ring	SS304, Polished	Thread Size	1/8", 1/4", 3/8", 1/2"
Window	Polycarbonate/ Tempered Glass	Connection Type	1 Part
Dial	Aluminium	Movement	Brass
Pointer	Aluminium	Bourdon Tube	Phosphorus Bronze
Accuracy	1.6%/1.0%*	Pres. Range	VAC~9PSI~15000PSI

*90% of the gauges are 1.0% accuracy under automated calibration technology even for 40mm.



DIMENSIONS

Code	Dia (mm)	Size (mm)											
		A	B	C	D	E	F	G	H	I	J	K	L
G107	100	108.5	98.5	9.0	37.5	22.0	36.0	-	-	-	99.5	130.0	58.5

111 Series - Crimp All SS Liquid Filled Pressure Gauge

111 Series is all SS gauge with crimp bezel and glycerine. Silicon oil optional.



111A



111B



111D



111F

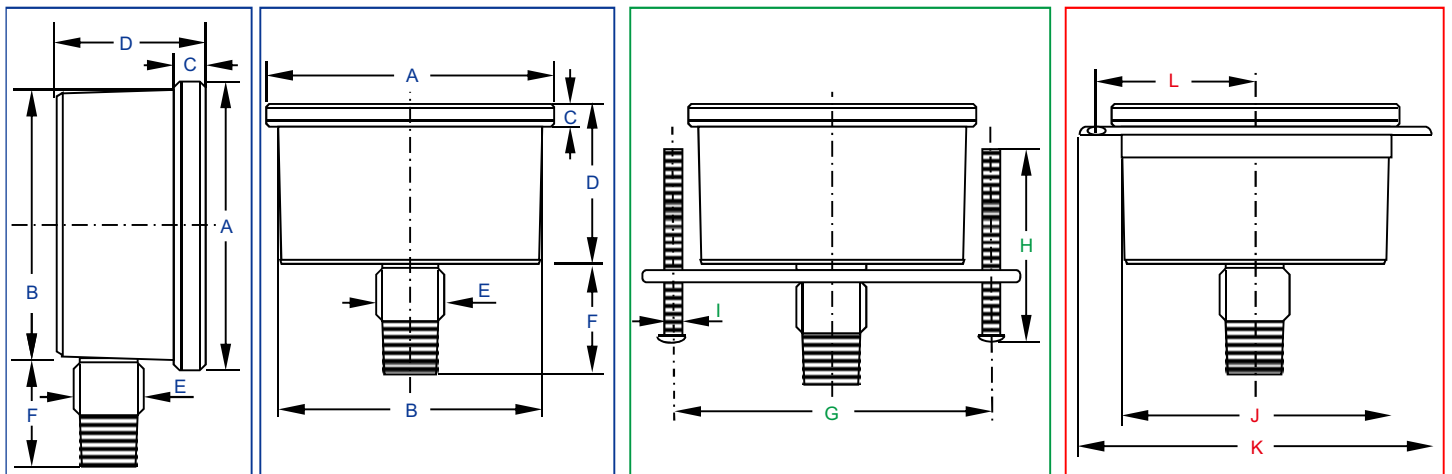
Description

111 series are designed for critical environment or high pure devices with long durability, it has SS304 housing and SS316 internals, can be used in most corrosive atmospheres, vibration and pulsation environments, food industry, water supplier, medical, etc.

Material Feature

Case	SS304, Polished	Connection	SS316 NPT/BSP/BSPT/Metric
Ring	SS304, Polished	Thread Size	1/8", 1/4", 3/8", 1/2"
Window	Polycarbonate or Tempered Glass	Connection Type	2 Parts
Dial	Aluminium	Movement	SS304
Pointer	Aluminium	Bourdon Tube	SS316L
Accuracy	1.6%/1.0%*	Pres. Range	VAC~9PSI~15000PSI

*90% of the gauges are 1.0% accuracy under automated calibration technology even for 40mm.

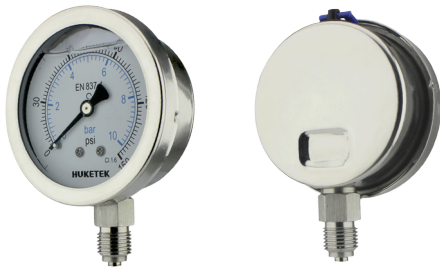


DIMENSIONS

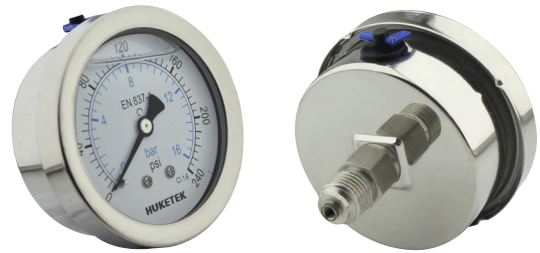
Code	Dia (mm)	Size (mm)											
		A	B	C	D	E	F	G	H	I	J	K	L
A111	40	46.5	41.0	5.0	25.5	11.0	23.0	48.0	37.0	M4	43.0	62.0	26.5
B111	50	58.0	52.0	6.0	29.0	14.0	24.0	60.0	37.0	M5	54.0	73.0	32.0
C111	63	68.0	61.0	6.0	29.0	14.0	24.0	71.0	37.0	M5	63.0	84.0	37.0
D111	75	81.0	74.5	7.0	30.0	14.0	24.0	-	-	-	-	-	-
E111	80	87.0	80.0	7.0	30.0	14.0	24.0	-	-	-	-	-	-
G111	100	108.5	98.5	9.0	37.5	22.0	36.0	-	-	-	99.5	130.0	58.5

113 Series - Bayonet All SS Liquid Filled Pressure Gauge

113 Series is all SS gauge with bayonet bezel and glycerine filled. Silicon oil optional.



113A



113B

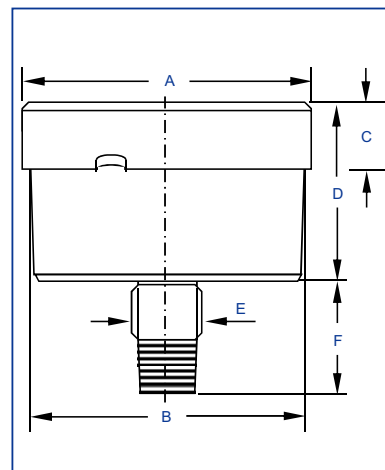
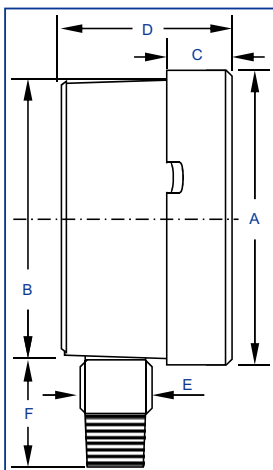
Description

113 series are all stainless steel materials with bayonet bezel, glycerine filled. Adjustable pointer is optional.

Material Feature

Case	SS304, Polished	Connection	SS316 NPT/BSP/BSPT/Metric
Ring	SS304, Polished	Thread Size	1/8", 1/4", 3/8", 1/2"
Window	Polycarbonate or Tempered Glass	Connection Type	2 Parts
Dial	Aluminium	Movement	SS304
Pointer	Aluminium	Bourdon Tube	SS316L
Accuracy	1.6%/1.0%*	Pres. Range	VAC~9PSI~15000PSI

*90% of the gauges are 1.0% accuracy under automated calibration technology even for 40mm.

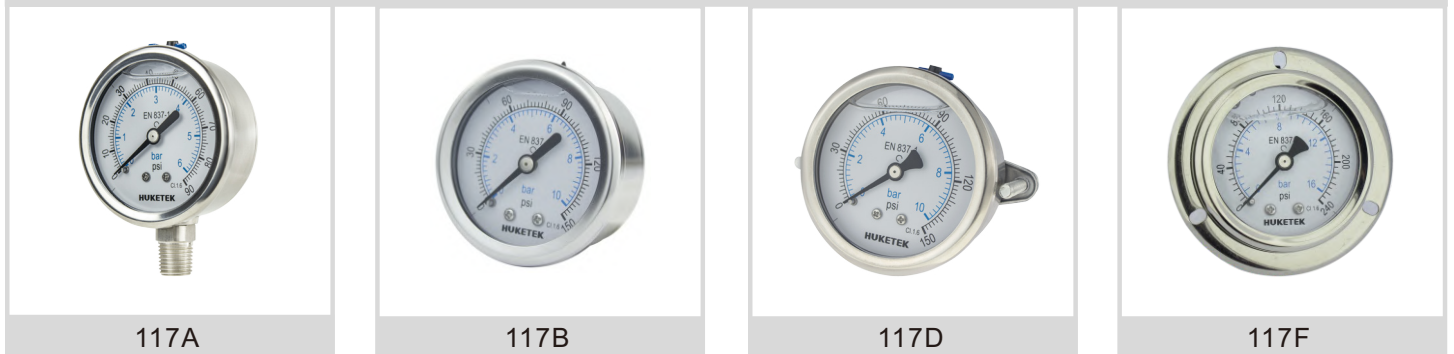


DIMENSIONS

Code	Dia (mm)	Size (mm)												
		A	B	C	D	E	F	G	H	I	J	K	L	
A113	40	-	-	-	-	-	-	-	-	-	-	-	-	-
B113	50	-	-	-	-	-	-	-	-	-	-	-	-	-
C113	63	69.0	61.0	10.4	29.0	14	24.0	7	3	M5	63	84	37	
D113	75	-	-	-	-	-	-	-	-	-	-	-	-	
E113	80	-	-	-	-	-	-	-	-	-	-	-	-	
G113	100	111.0	99.5	15.1	37.0	22	36.0	-	-	-	99.5	130	58.5	

117 Series - Crimp All SS Liquid Filled Pressure Gauge

117 Series is all SS gauge with crimp bezel, glycerine/silicon filled and one part connection.



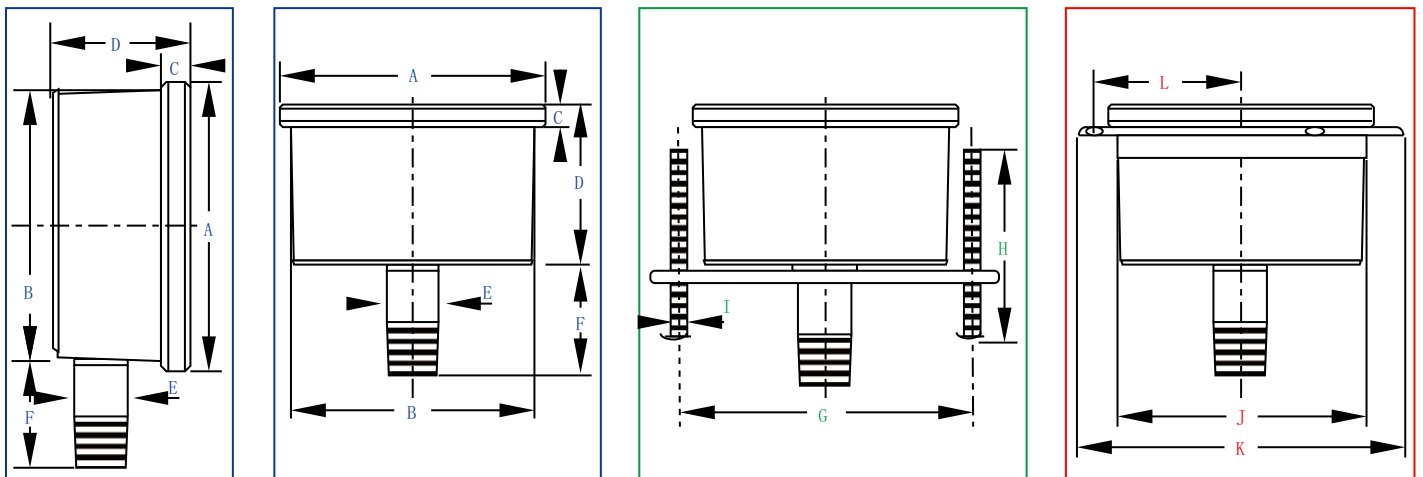
Description

117 series is it has SS304 housing and SS316, SS316L internal. It can be filled with glycerine/silicon oil, which can be used in most corrosive atmospheres, vibration and pulsation environments, food industry, water supplier, medical, etc.

Material Feature

Case	SS304, Polished	Connection	SS316 NPT/BSP/BSPT/Metric
Ring	SS304, Polished	Thread Size	1/8", 1/4", 3/8", 1/2"
Window	Polycarbonate/ Tempered Glass	Connection Type	1 Part
Dial	Aluminium	Movement	SS304
Pointer	Aluminium	Bourdon Tube	SS316L
Accuracy	1.6%/1.0%*	Pres. Range	VAC~9PSI~15000PSI

*90% of the gauges are 1.0% accuracy under automated calibration technology even for 40mm.

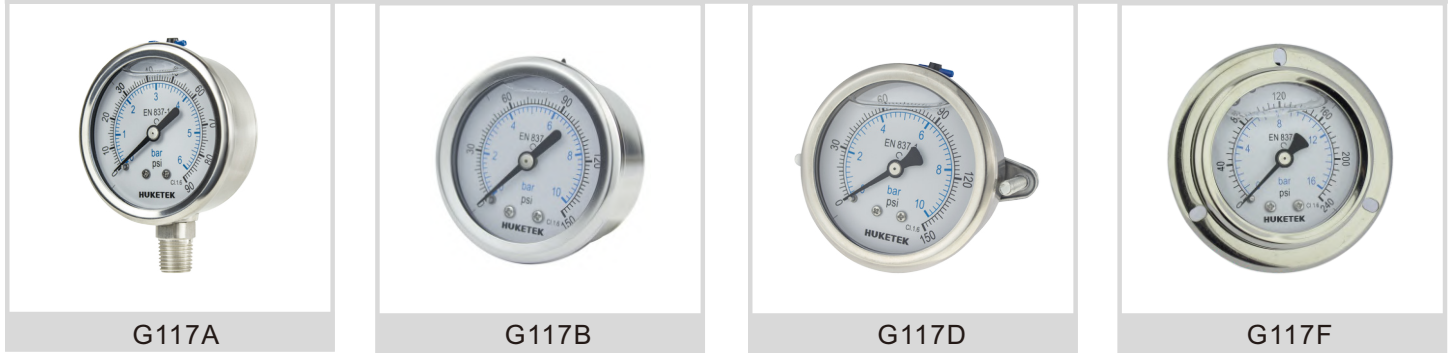


DIMENSIONS

Code	Dia (mm)	Size (mm)											
		A	B	C	D	E	F	G	H	I	J	K	L
A117	40	46.5	41.0	5.0	25.5	11.0	23.0	48.0	37.0	M4	43.0	62.0	26.5
B117	50	58.0	52.0	6.0	29.0	14.0	24.0	60.0	37.0	M5	54.0	73.0	32.0
C117	63	68.0	61.0	6.0	29.0	14.0	24.0	71.0	37.0	M5	63.0	84.0	37.0
D117	75	81.0	74.5	7.0	30.0	14.0	24.0	-	-	-	-	-	-
E117	80	87.0	80.0	7.0	30.0	14.0	24.0	-	-	-	-	-	-

G117 Series - Crimp All SS Liquid Filled Pressure Gauge

G117 Series is all SS gauge with crimp bezel, glycerine/silicon filled and one part connection.



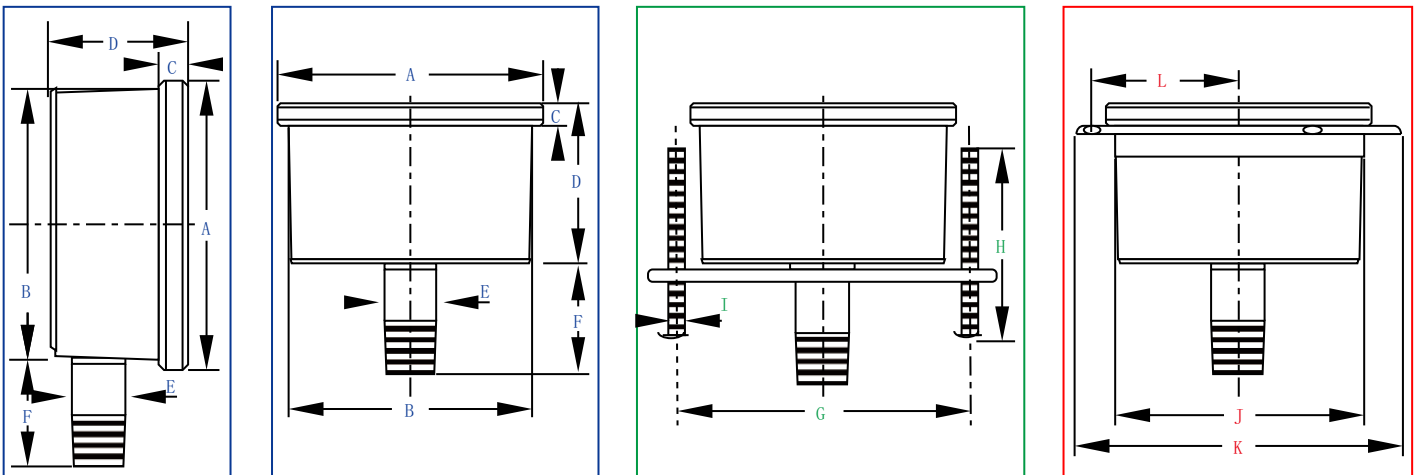
Description

G117 series is it has SS304 housing and SS316, SS316L internal. It can be filled with glycerine/silicon oil, which can be used in most corrosive atmospheres, vibration and pulsation environments, food industry, water supplier, medical, etc.

Material Feature

Case	SS304, Polished	Connection	SS316 NPT/BSP/BSPT/Metric
Ring	SS304, Polished	Thread Size	1/8", 1/4", 3/8", 1/2"
Window	Polycarbonate/ Tempered Glass	Connection Type	1 Part
Dial	Aluminium	Movement	SS304
Pointer	Aluminium	Bourdon Tube	SS316L
Accuracy	1.6%/1.0%*	Pres. Range	VAC~9PSI~15000PSI

*90% of the gauges are 1.0% accuracy under automated calibration technology even for 40mm.



DIMENSIONS

Code	Dia (mm)	Size (mm)											
		A	B	C	D	E	F	G	H	I	J	K	L
G117	100	108.5	98.5	9.0	37.5	22.0	36.0	-	-	-	99.5	130.0	58.5

181 Series - Crimp All SS Welded Liquid Filled Pressure Gauge

181 Series is all SS gauge with crimp bezel, glycerine/Silicon filled and argon-arc welding.



181A



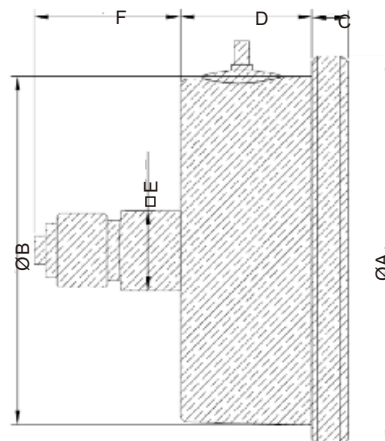
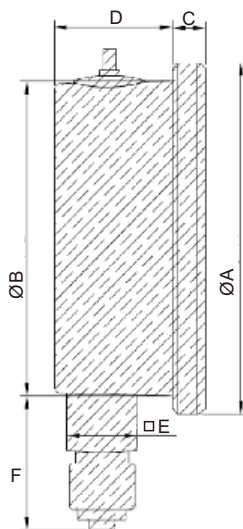
181B

Description

This series is designed for critical environment or high pure devices, it has SS304 housing and SS316 internals, can be used in most corrosive atmospheres, vibration, pulsation environments, etc.

Material Feature

Case	SS304	Connection	SS316 NPT/BSP/BSPT/Metric
Ring	SS304	Thread Size	1/8", 1/4", M14
Window	Polycarbonate or Tempered Glass	Movement	SS304
Dial	Aluminium	Bourdon Tube	SS316L
Pointer	Aluminium	Welding Type	Argon-arc Welding
Accuracy	1.6%/1.0%*	Pres. Range	VAC~9PSI~15000PSI



DIMENSIONS

Code	Dia (mm)	Size (mm)					
		A	B	C	D	E	F
B181	50	57.5	50.5	6.5	22.0	14.0	26.0
C181	63	68.0	61.0	6.5	22.0	14.0	26.0

183&184 Series - Bayonet All SS Welded Liquid Filled Pressure Gauge

Description

183 & 184 series are all SS gauges as 181 series but with bayonet bezel, it means this gauge is repairable. Filled glycerine/silicon oil. This series also can be used under critical environment, high pure devices, etc.

Material Feature

Case	SS304	Connection	SS316 NPT/BSP/BSPT/Metric
Ring	SS304	Thread Size	1/8", 1/4", 1/2", M14, M20
Window	Polycarbonate or Tempered Glass	Movement	SS304
Dial	Aluminium	Bourdon Tube	SS316L
Pointer	Aluminium	Welding Type	Argon-arc Welding
Accuracy	1.6%/1.0%*	Pres. Range	VAC~9PSI~30000PSI



183A 183B



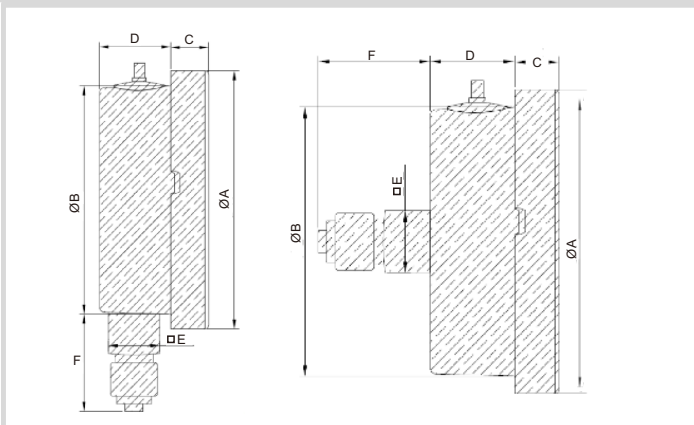
G184A



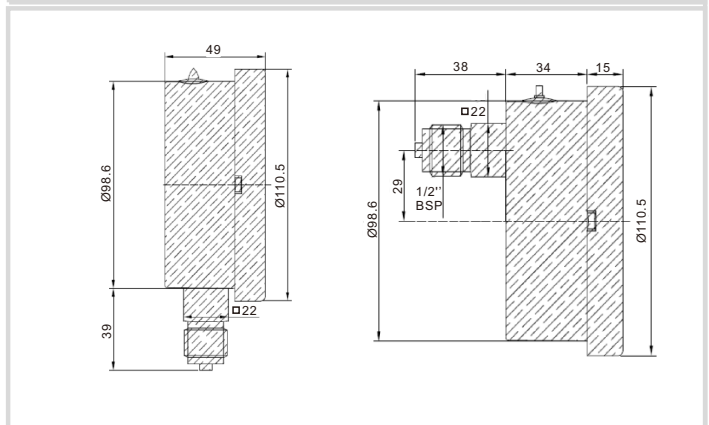
G184B



H184A



183A 183B



G184A G184B

DIMENSIONS

Code	Dia (mm)	Size (mm)					
		A	B	C	D	E	F
B183/184	50	58.0	50.5	10.4	18.6	14.0	26.0
C183/184	63	69.0	61.0	10.4	18.6	14.0	26.0

186 Series - All SS Welded Liquid Filled Pressure Gauge

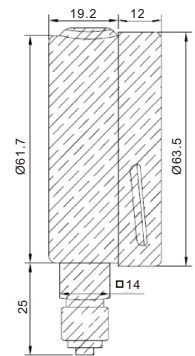
Description

186A is made with all stainless steel material, pressure elements are assembled by argon-arc welding, socket and case are assembled by laser welding. Lager dial face helps reading easier and higher accuracy calibration. The full stainless steel materials and strong elements ensure this gauge is in high accuracy, long durability and suitable for critical situation, e.g. Petroleum industry, vibration, corrosion environment, etc.

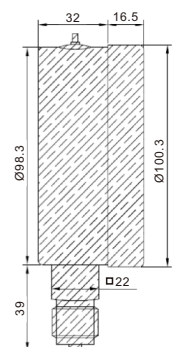
Material Feature

Case	SS304		Connection	SS316 NPT/BSP/BSPT/METRIC
Ring	SS304		Thread Size	1/4", 1/2", M14, M20
Window	Tempered Glass/ Laminated		Movement	SS304
Dial	Aluminium/ Customize		Bourdon Tube	SS316L
Pointer	Aluminium		Accuracy	1.6%/1.0%*
Liquid Type	Glycerine/Silicon		Pres. Range	C186A: VAC~9PSI~15000PSI
Over Pressure	130% x 30min			G&I186A: VAC~9PSI~30000PSI
Welding type	Argon-arc Welding			
	Laser Welding			

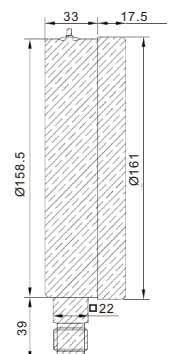
C186A



G186A



I186A



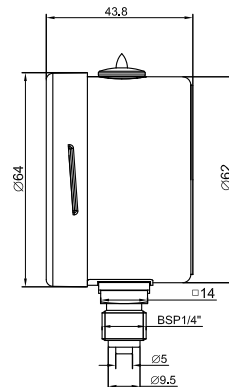
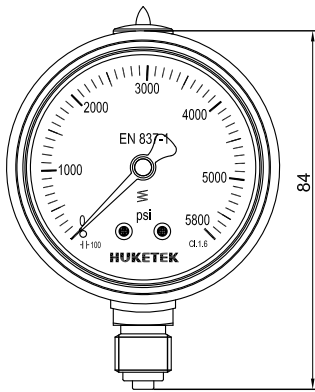
188 Series - All SS Welded Safety Pressure Gauge

Description

C188A is all laser welded stainless steel construction gauge with rear blow out protection. Lager dial face helps reading easier and higher accuracy calibration. The full stainless steel materials and strong elements ensure this gauge is in high accuracy, long durability and suitable for critical situation, e.g. Offshore oil rigs, Chemical and petrochemical plants, Machine equipment, Food and beverage industry, Pulp and paper, Power plants, etc.

Material Feature

Case	SS304 (SS316 available)	Connection	SS316L
Ring	SS304 (SS316 available)	Thread Size	1/4" NPT(Others available)
Window	Laminated safety glass	Movement	SS304 (SS316L available)
Dial	Aluminium	Bourdon Tube	SS316L
Pointer	Aluminium	Accuracy	1.6%/1.0%*
Liquid Type	Glycerine or Silicon	Pres. Range	VAC~9PSI~15000PSI
Over Pressure	125% of max.scale value	Working Pres.	75% of max.scale value
*Adjustable micrometer pointer available		Protection	IP66
*Customer dial design acceptable		Welding type	Laser Welding



Min./Max. Temperature Limits

Version	Ambient	Process	Storage
Dry	-20°C to 65°C (-4°F to 150°F)	max.200°C (max.392°F)	-20°C to 65°C (-4°F to 150°F)
Glycerine	-7°C to 65°C (19°F to 150°F)	-7°C to 65°C (19°F to 150°F)	-7°C to 65°C (19°F to 150°F)
Silicone	-20°C to 65°C (-4°F to 150°F)	-20°C to 65°C (-4°F to 150°F)	-20°C to 65°C (-4°F to 150°F)

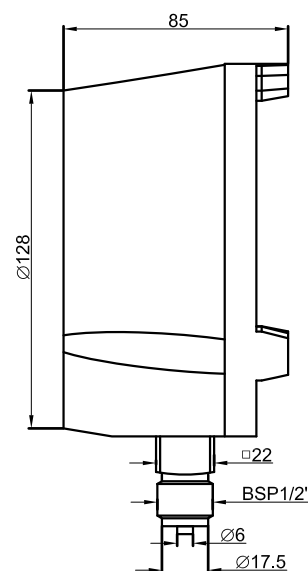
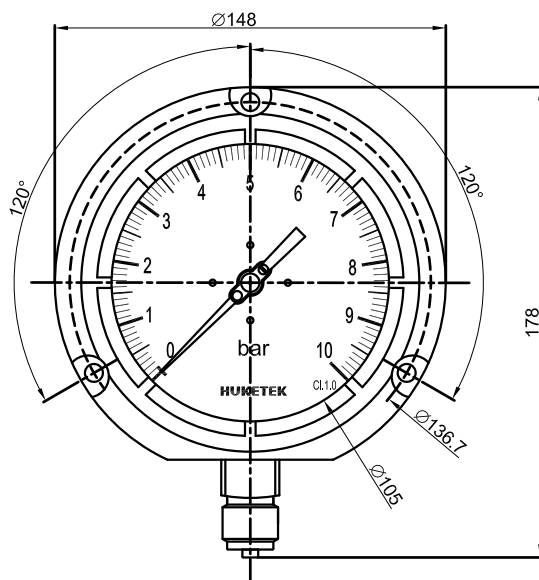
189 Series - Phenolic Case SS Safety Pressure Gauge

Description

189 series gauge has a solid case with a pressure relief rear cover with a safety partition. This gauge is widely used in petroleum, chemical, food, beverage, refrigeration and other production processes, and is used in places where the surrounding environment, process medium and environmental conditions are very harsh.

Material Feature

Case	Phenolic (Polypropylene)	Connection	SS304 (SS316L available)
Window	Laminated safety glass	Thread Size	1/2" BSP(Others available)
Dial	Aluminium/ Customize	Movement	SS304
Pointer	Aluminium	Bourdon Tube	SS316L
Liquid Type	Glycerine or Silicon	Accuracy	1.6%/1.0%*
Protection	IP66	Pres. Range	VAC~9PSI~30000PSI
*Adjustable micrometer pointer available		Working tem	-20°C-70°C



201 Series - Press On Mild Steel Case Standard Pressure Gauge

201 Series has mild steel case with press on steel ring, brass internals.



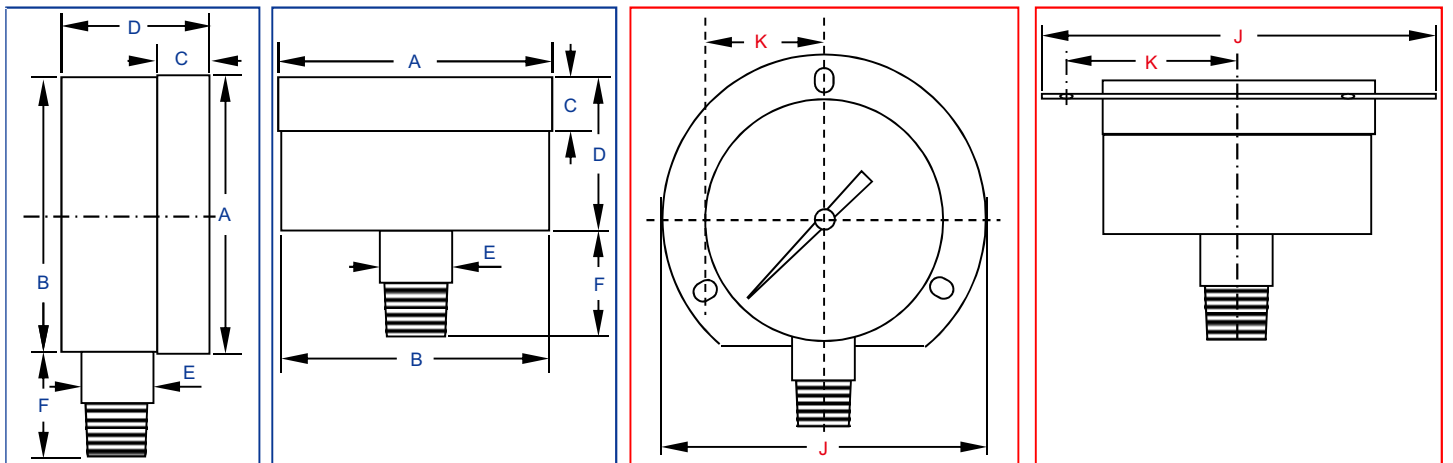
Description

201 series are used in where the pressure medium is no-corrosive to brass, phosphor bronze, or beryllium copper. Air, oil, gas and water services are the most common applications.

Material Feature

Case	Mild Steel	Connection	Brass NPT/BSP/BSPT/Metric
Ring	Mild Steel	Thread Size	1/8", 1/4", 3/8", 1/2"
Window	Acrylic or Common Glass	Connection Type	1 Part
Dial	Aluminium	Movement	Brass
Pointer	Aluminium	Bourdon Tube	Phosphorus Bronze
Accuracy	2.5%/2.0%/1.6%/1.0%*	Pres. Range	VAC~9PSI~15000PSI

*90% of the gauges are 1.0% accuracy under automated calibration technology even for 40mm.

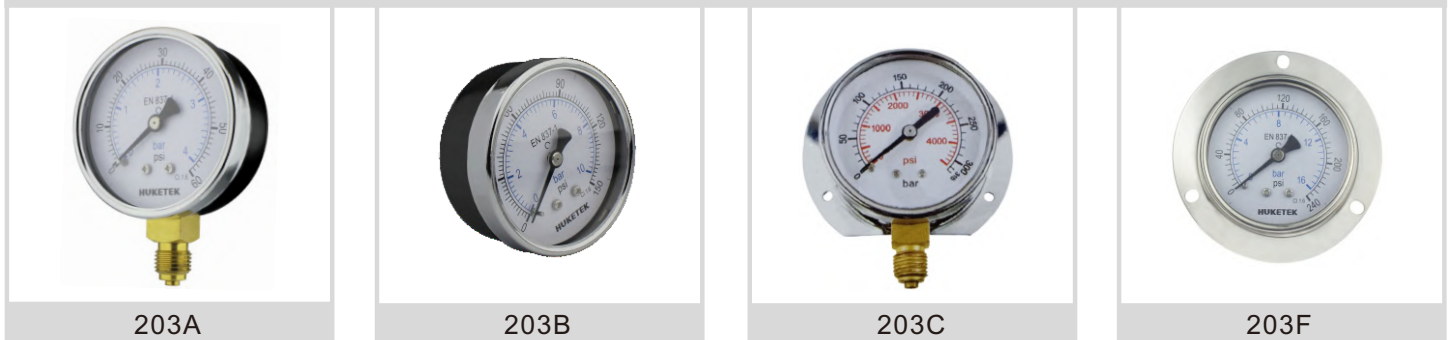


DIMENSIONS

Code	Dia (mm)	Size (mm)											
		A	B	C	D	E	F	G	H	I	J	K	L
A201	40	42.0	41.0	8.0	24.0	11.0	17.0	-	-	-	60.5	26.3	-
B201	50	52.5	51.3	10.0	28.0	14.0	23.0	-	-	-	74.2	31.8	-
C201	63	63.2	62.0	10.0	28.0	14.0	23.0	-	-	-	84.0	36.7	-
D201	75	77.0	75.0	11.0	29.5	14.0	23.0	-	-	-	96.0	42.7	-
E201	80	79.0	77.6	11.0	29.5	14.0	23.0	-	-	-	105.5	46.8	-
G201	100	100.0	98.5	13.0	36.0	22.0	28.5	-	-	-	131.5	59.3	-

203 Series - Chromed Press On Steel Case Standard Pressure Gauge

203 Series has steel case with press on chromed steel ring, brass internals.



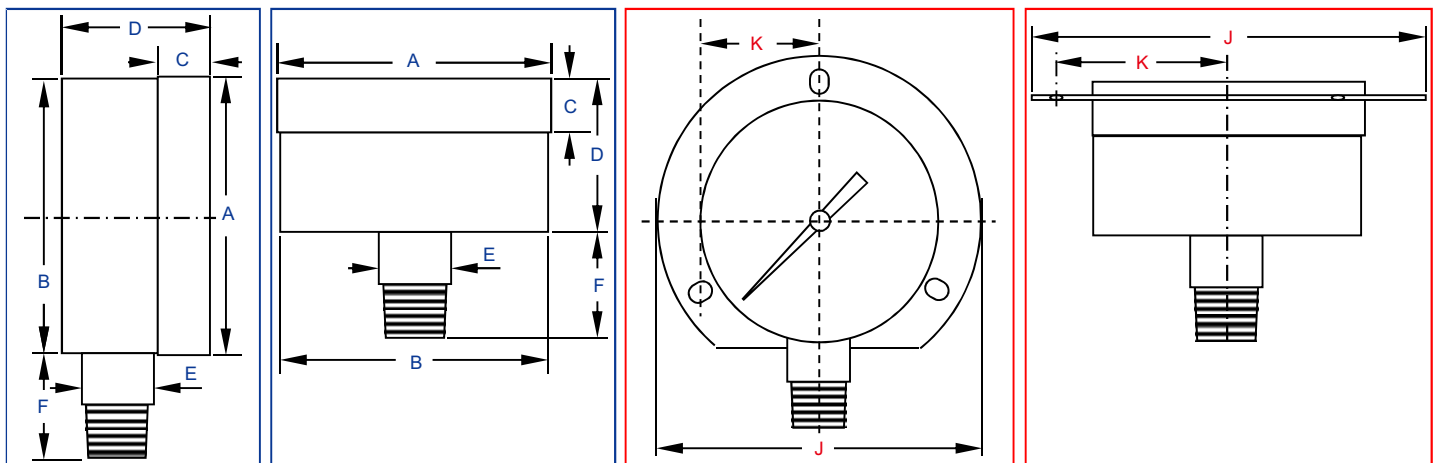
Description

203 series is standard pressure gauges with mild steel case. The appearance and anti-corrosion of chroming is better than black.

Material Feature

Case	Mild steel	Connection	Brass NPT/BSP/BSPT/Metric
Ring	Steel, Chromed	Thread Size	1/8", 1/4", 3/8", 1/2"
Window	Acrylic or Common Glass	Connection Type	1 Part
Dial	Aluminium	Movement	Brass
Pointer	Aluminium	Bourdon Tube	Phosphorus Bronze
Accuracy	2.5%/2.0%/1.6%/1.0%*	Pres. Range	VAC~9PSI~15000PSI

*90% of the gauges are 1.0% accuracy under automated calibration technology even for 40mm.

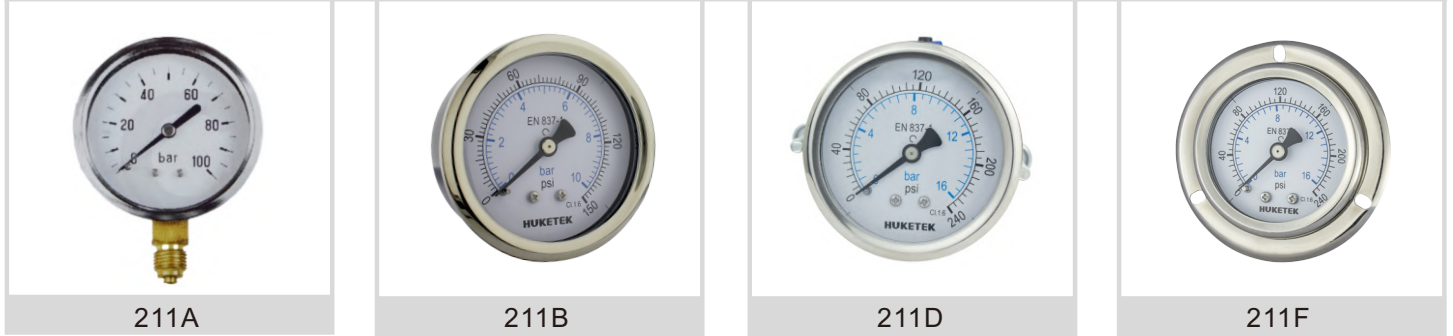


DIMENSIONS

Code	Dia (mm)	Size (mm)											
		A	B	C	D	E	F	G	H	I	J	K	L
A203	40	42.0	41.0	8.0	24.0	11.0	17.0	-	-	-	60.5	26.3	-
B203	50	52.5	51.3	10.0	28.0	14.0	23.0	-	-	-	74.2	31.8	-
C203	63	63.2	62.0	10.0	28.0	14.0	23.0	-	-	-	84.0	36.7	-
D203	75	77.0	75.0	11.0	29.5	14.0	23.0	-	-	-	96.0	42.7	-
E203	80	79.0	77.6	11.0	29.5	14.0	23.0	-	-	-	105.5	46.8	-
G203	100	100.0	98.5	13.0	36.0	22.0	28.5	-	-	-	131.5	59.3	-

211 Series - Crimp Mild Steel Case Standard Pressure Gauge

211 Series has mild steel case with crimp bezel, brass internals.



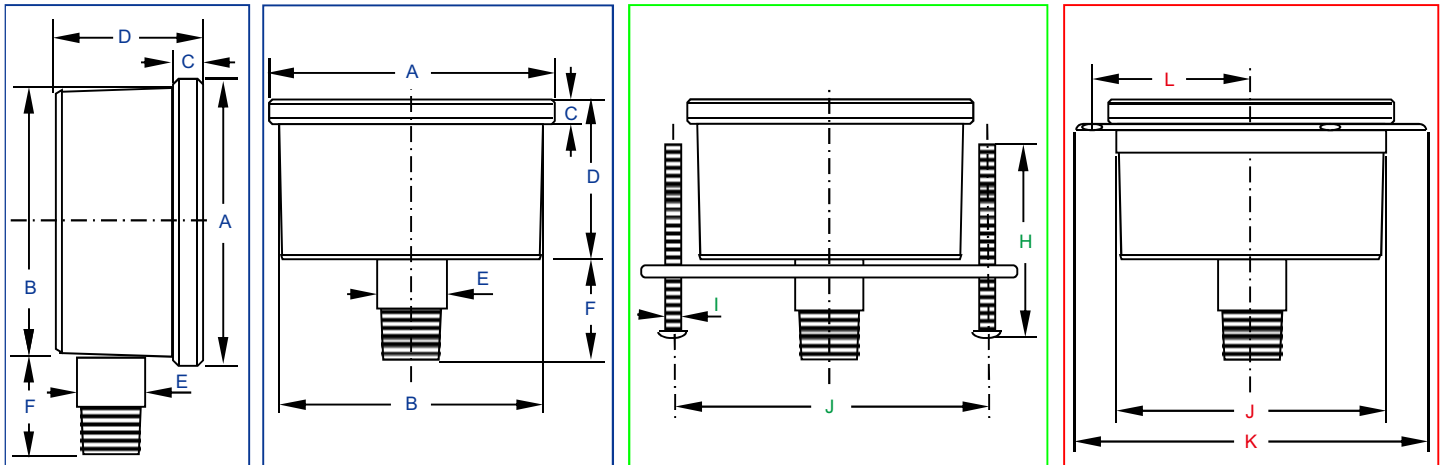
Description

211 series has chromed crimp bezel, so it can be used in more vibration condition.

Material Feature

Case	Mild Steel	Connection	Brass NPT/BSP/BSPT/Metric
Ring	SS	Thread Size	1/8", 1/4", 3/8", 1/2"
Window	Acrylic or Common Glass	Connection Type	1 Part
Dial	Aluminium	Movement	Brass
Pointer	Aluminium	Bourdon Tube	Phosphorus Bronze
Accuracy	2.5%/2.0%/1.6%/1.0%*	Pres. Range	VAC~9PSI~15000PSI

*90% of the gauges are 1.0% accuracy under automated calibration technology even for 40mm.



DIMENSIONS

Code	Dia (mm)	Size (mm)											
		A	B	C	D	E	F	G	H	I	J	K	L
A211	40	46.5	41.0	5.0	25.5	11.0	17.0	48.0	37.0	4.0	43.0	62.0	26.5
B211	50	58.0	52.0	6.0	29.0	14.0	23.0	60.0	37.0	5.0	54.0	73.0	32.0
C211	63	68.0	61.0	6.0	29.0	14.0	23.0	71.0	37.0	5.0	63.0	84.0	37.0
D211	75	81.0	74.5	7.0	30.0	14.0	23.0	-	-	-	-	-	-
E211	80	87.0	80.0	7.0	30.0	14.0	23.0	-	-	-	-	-	-
G211	100	108.5	98.5	9.0	37.5	22.0	28.5	-	-	-	99.5	130.0	58.5

221 Series - Mild Steel Case Standard Pressure Gauge

221 Series has mild steel case, brass internals.



221A



221B



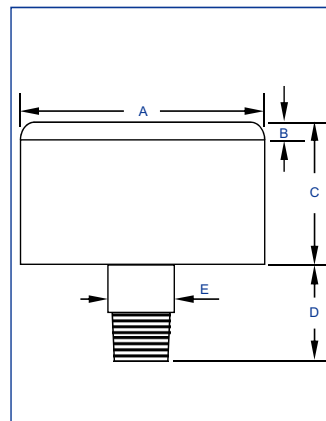
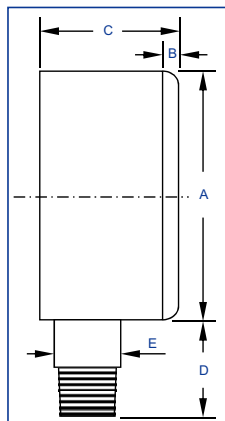
Description

221 series is economic cost pressure gauge, the case is made by mild steel and black plated, can be used for air, water equipment, etc.

Material Feature

Case	Mild Steel	Connection	Brass NPT/BSP/BSPT/Metric
Ring	None	Thread Size	1/8", 1/4", 3/8", 1/2"
Window	Acrylic	Connection Type	1 Part
Dial	Aluminium	Movement	Brass
Pointer	Aluminium	Bourdon Tube	Phosphorus Bronze
Accuracy	2.5%/2.0%/1.6%/1.0%*	Pres. Range	VAC~9PSI~15000PSI

*90% of the gauges are 1.0% accuracy under automated calibration technology even for 40mm.

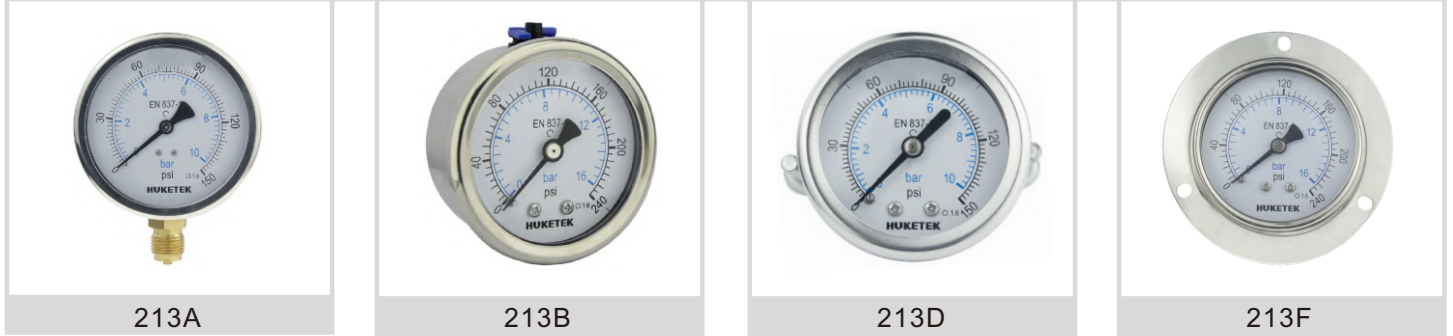


DIMENSIONS

Code	Dia (mm)	Size (mm)											
		A	B	C	D	E	F	G	H	I	J	K	L
A221	40	41.0	2.4	24.1	25.5	11.0	-	-	-	-	-	-	-
B221	50	52.0	3.0	28.0	29.0	14.0	-	-	-	-	-	-	-
C221	63	61.0	3.0	28.8	29.0	14.0	-	-	-	-	-	-	-
D221	75	-	-	-	-	-	-	-	-	-	-	-	-
E221	80	-	-	-	-	-	-	-	-	-	-	-	-
G221	100	-	-	-	-	-	-	-	-	-	-	-	-

213 Series - Crimp Chromed Steel Case Standard Pressure Gauge

213 Series has plated mild steel case with crimp bezel, brass internals.



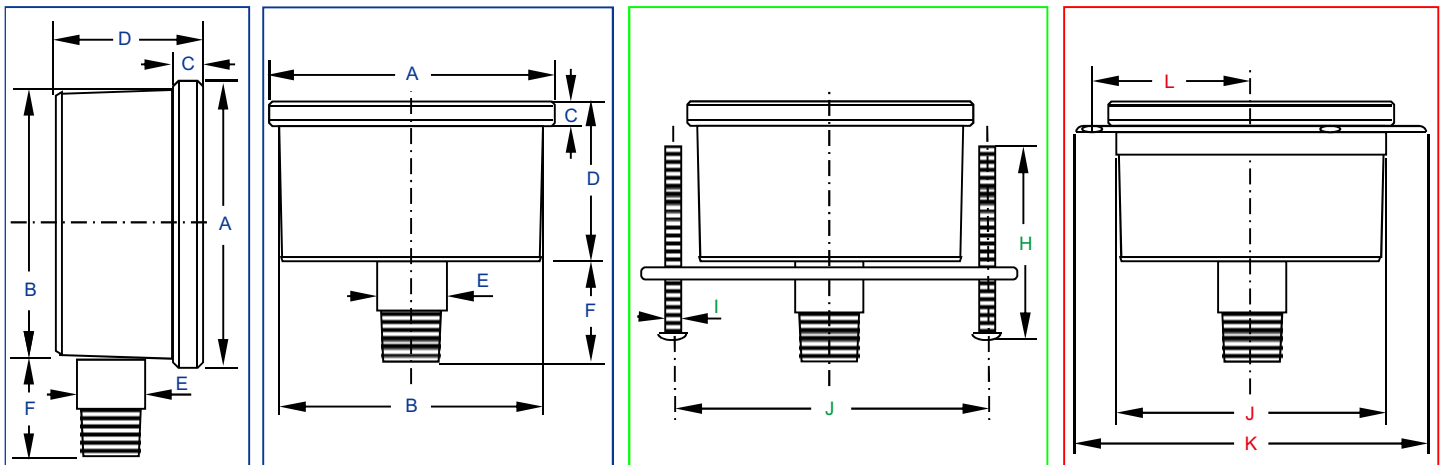
Description

213 series has mild steel with chromed case, crimp bezel, so it can be used in more vibration condition.

Material Feature

Case	Mild Steel, chromed	Connection	Brass NPT/BSP/BSPT/Metric
Ring	SS	Thread Size	1/8", 1/4", 3/8", 1/2"
Window	Acrylic or Common Glass	Connection Type	1 Part
Dial	Aluminium	Movement	Brass
Pointer	Aluminium	Bourdon Tube	Phosphorus Bronze
Accuracy	2.5%/2.0%/1.6%/1.0%*	Pres. Range	VAC~9PSI~15000PSI

*90% of the gauges are 1.0% accuracy under automated calibration technology even for 40mm.

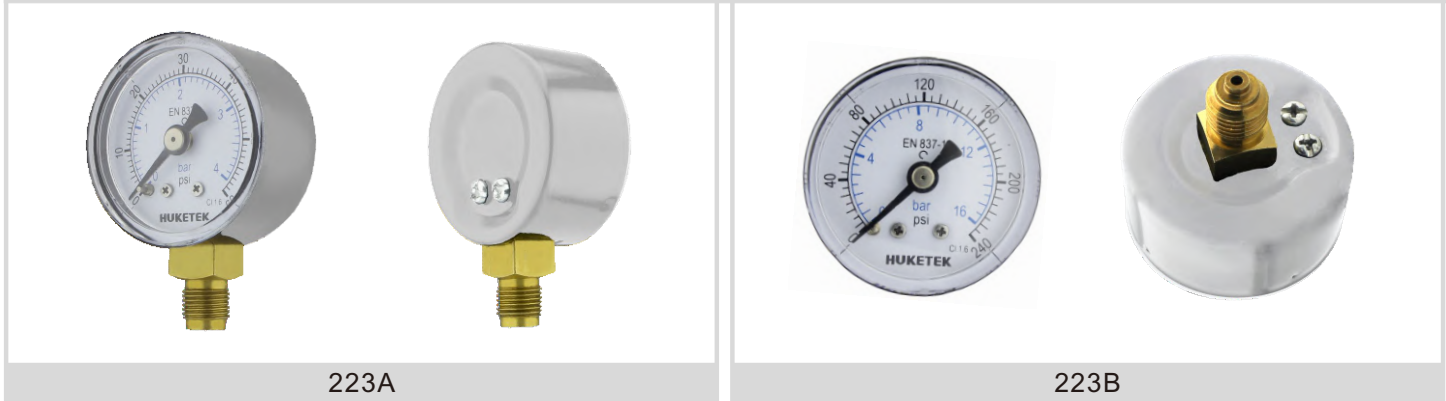


DIMENSIONS

Code	Dia (mm)	Size (mm)											
		A	B	C	D	E	F	G	H	I	J	K	L
A213	40	46.5	41.0	5.0	25.5	11.0	17.0	48.0	37.0	4.0	43.0	62.0	26.5
B213	50	58.0	52.0	6.0	29.0	14.0	23.0	60.0	37.0	5.0	54.0	73.0	32.0
C213	63	68.0	61.0	6.0	29.0	14.0	23.0	71.0	37.0	5.0	63.0	84.0	37.0
D213	75	81.0	74.5	7.0	30.0	14.0	23.0	-	-	-	-	-	-
E213	80	87.0	80.0	7.0	30.0	14.0	23.0	-	-	-	-	-	-
G213	100	108.5	98.5	9.0	37.5	22.0	28.5	-	-	-	99.5	130.0	58.5

223 Series - Chromed Steel Case Standard Pressure Gauge

223 Series has plated mild steel case, brass internals.



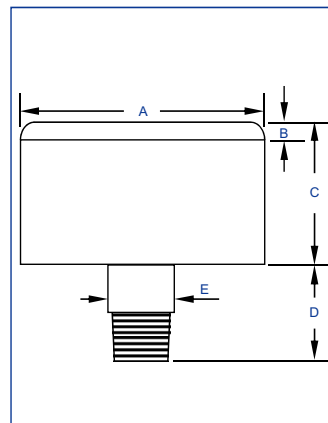
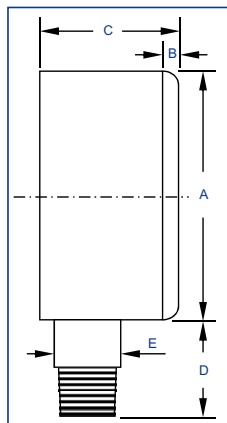
Description

223 series is economic cost pressure gauge, the case is made by plated mild steel, can be used for air, water equipment, etc.

Material Feature

Case	Mild Steel, Chromed	Connection	Brass NPT/BSP/BSPT/Metric
Ring	None	Thread Size	1/8", 1/4", 3/8", 1/2"
Window	Acrylic	Connection Type	1 Part
Dial	Aluminium	Movement	Brass
Pointer	Aluminium	Bourdon Tube	Phosphorus Bronze
Accuracy	2.5%/2.0%/1.6%/1.0%*	Pres. Range	VAC~9PSI~15000PSI

*90% of the gauges are 1.0% accuracy under automated calibration technology even for 40mm.

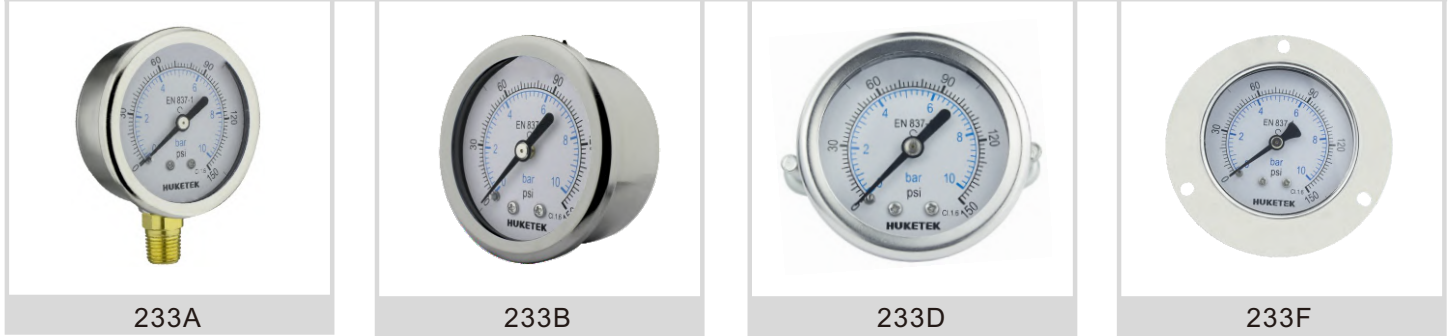


DIMENSIONS

Code	Dia (mm)	Size (mm)											
		A	B	C	D	E	F	G	H	I	J	K	L
A223	40	41.0	2.4	24.1	25.5	11.0	-	-	-	-	-	-	-
B223	50	52.0	3.0	28.0	29.0	14.0	-	-	-	-	-	-	-
C223	63	61.0	3.0	28.8	29.0	14.0	-	-	-	-	-	-	-
D223	75	-	-	-	-	-	-	-	-	-	-	-	-
E223	80	-	-	-	-	-	-	-	-	-	-	-	-
G223	100	-	-	-	-	-	-	-	-	-	-	-	-

233 Series - Crimp Chromed Steel Case Standard Pressure Gauge

233 Series has chromed steel case with crimp bezel, brass internals.



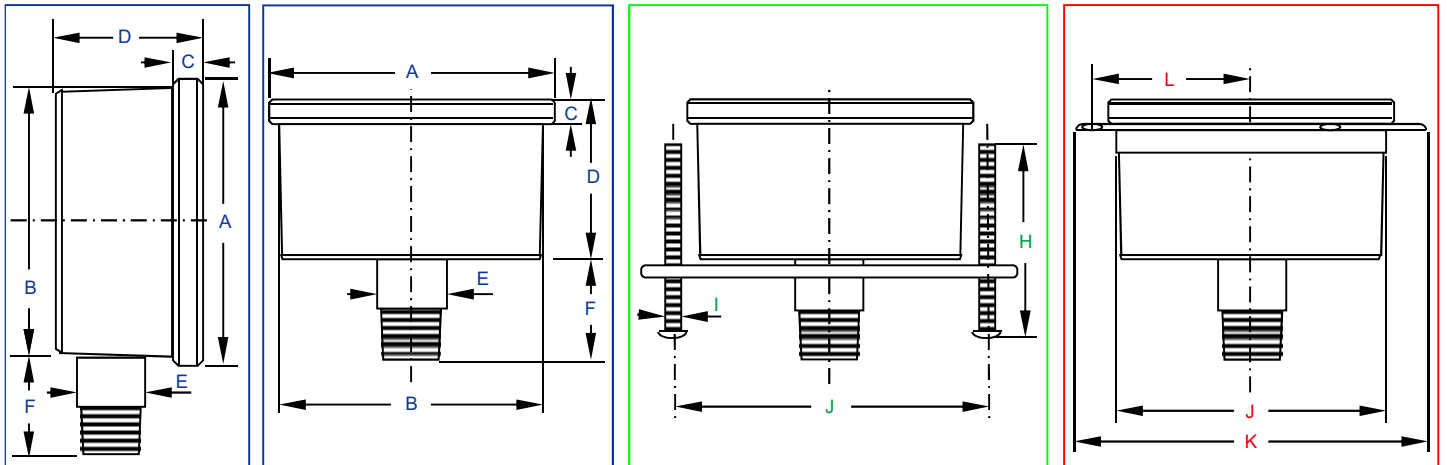
Description

233 series has chromed crimp bezel, so it can be used in more vibration condition.

Material Feature

Case	Mild Steel, Chromed	Connection	Brass NPT/BSP/BSPT/Metric
Ring	Mild Steel, Chromed	Thread Size	1/8", 1/4", 3/8", 1/2"
Window	Acrylic or Common Glass	Connection Type	1 Part
Dial	Aluminium	Movement	Brass
Pointer	Aluminium	Bourdon Tube	Phosphorus Bronze
Accuracy	2.5%/2.0%/1.6%/1.0%*	Pres. Range	VAC~9PSI~15000PSI

*90% of the gauges are 1.0% accuracy under automated calibration technology even for 40mm.

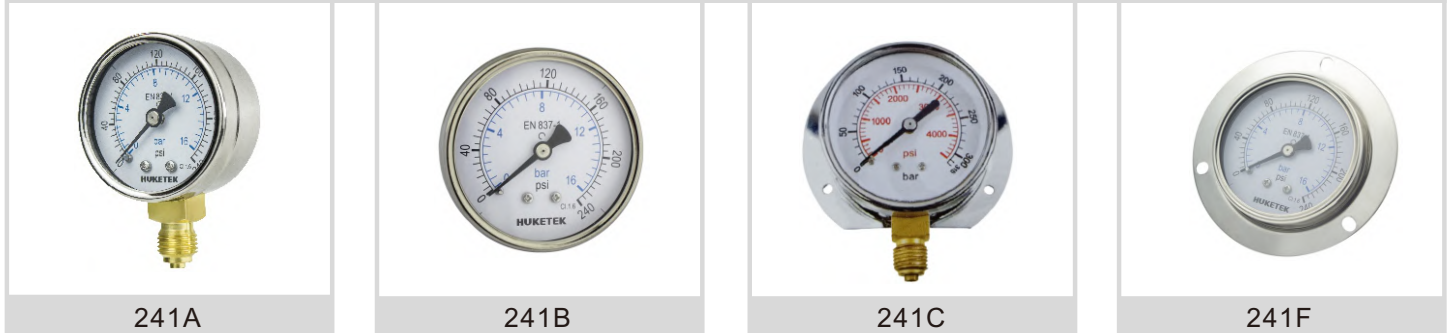


DIMENSIONS

Code	Dia (mm)	Size (mm)											
		A	B	C	D	E	F	G	H	I	J	K	L
A233	40	46.5	41.0	5.0	25.5	11.0	17.0	48.0	37.0	4.0	43.0	62.0	26.5
B233	50	58.0	52.0	6.0	29.0	14.0	23.0	60.0	37.0	5.0	54.0	73.0	32.0
C233	63	68.0	61.0	6.0	29.0	14.0	23.0	71.0	37.0	5.0	63.0	84.0	37.0
D233	75	81.0	74.5	7.0	30.0	14.0	23.0	-	-	-	-	-	-
E233	80	87.0	80.0	7.0	30.0	14.0	23.0	-	-	-	-	-	-
G233	100	108.5	98.5	9.0	37.5	22.0	28.5	-	-	-	99.5	130.0	58.5

241 Series - Press On SS Case Standard Pressure Gauge

241 Series has SS304 case with press on SS ring, brass internals.



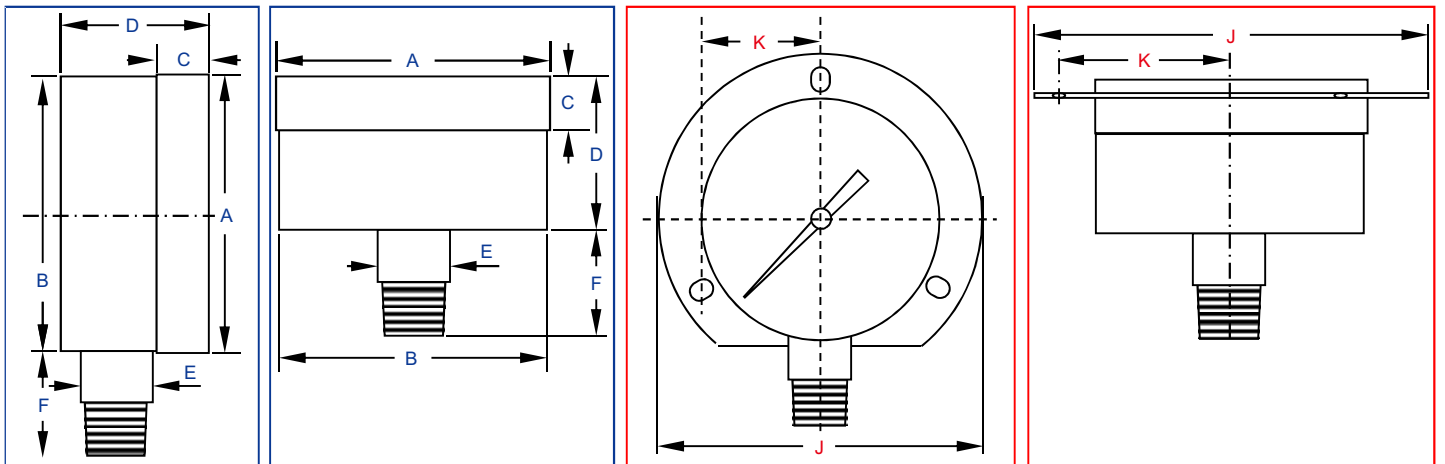
Description

Standard pressure gauge, with stainless Steel case, so 241 is better for critical environment than 201 series.

Material Feature

Case	SS304	Connection	Brass NPT/BSP/BSPT/Metric
Ring	SS304	Thread Size	1/8", 1/4", 3/8", 1/2"
Window	Acrylic or Common Glass	Connection Type	1 Part
Dial	Aluminium	Movement	Brass
Pointer	Aluminium	Bourdon Tube	Phosphorus Bronze
Accuracy	2.5%/2.0%/1.6%/1.0%*	Pres. Range	VAC~9PSI~15000PSI

*90% of the gauges are 1.0% accuracy under automated calibration technology even for 40mm.

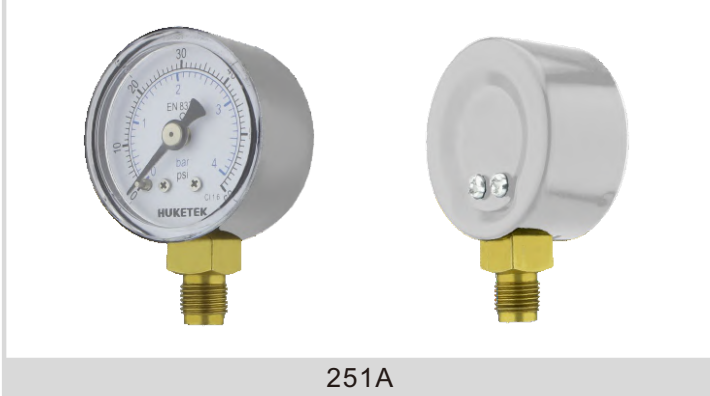


DIMENSIONS

Code	Dia (mm)	Size (mm)												
		A	B	C	D	E	F	G	H	I	J	K	L	
A241	40	42.0	41.0	8.0	24.0	11.0	17.0	-	-	-	60.5	26.3	-	
B241	50	52.5	51.3	10.0	28.0	14.0	23.0	-	-	-	74.2	31.8	-	
C241	63	63.2	62.0	10.0	28.0	14.0	23.0	-	-	-	84.0	36.7	-	
D241	75	77.0	75.0	11.0	29.5	14.0	23.0	-	-	-	96.0	42.7	-	
E241	80	79.0	77.6	11.0	29.5	14.0	23.0	-	-	-	105.5	46.8	-	
G241	100	100.0	98.5	13.0	36.0	22.0	28.5	-	-	-	131.5	59.3	-	

251 Series - SS Case Standard Pressure Gauge

251 Series has SS304 case, brass internals.



251A



251B

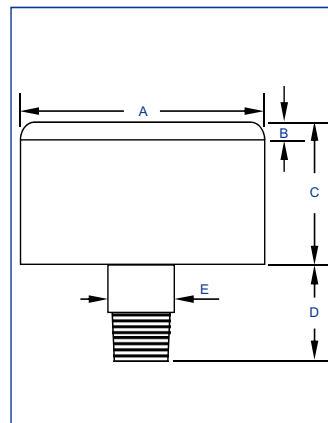
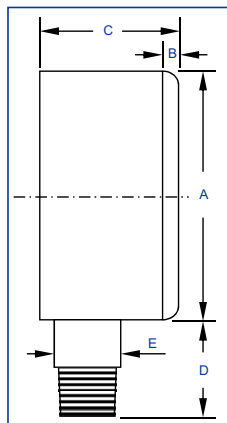
Description

251 series is economic cost pressure gauge, the case is made by ss, can be used for air, water equipment, etc.

Material Feature

Case	SS304	Connection	Brass NPT/BSP/BSPT/Metric
Ring	None	Thread Size	1/8", 1/4", 3/8", 1/2"
Window	Acrylic or Polycarbonate	Connection Type	1 Part
Dial	Aluminium	Movement	Brass
Pointer	Aluminium	Bourdon Tube	Phosphorus Bronze
Accuracy	2.5%/2.0%/1.6%/1.0%*	Pres. Range	VAC~9PSI~15000PSI

*90% of the gauges are 1.0% accuracy under automated calibration technology even for 40mm.

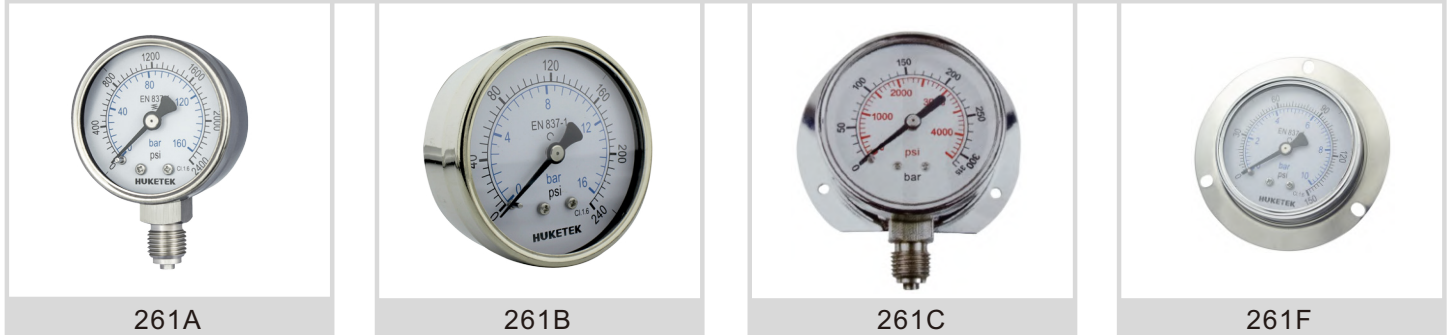


DIMENSIONS

Code	Dia (mm)	Size (mm)											
		A	B	C	D	E	F	G	H	I	J	K	L
A251	40	41.0	2.4	24.1	25.5	11.0	-	-	-	-	-	-	-
B251	50	52.0	3.0	28.0	29.0	14.0	-	-	-	-	-	-	-
C251	63	61.0	3.0	28.8	29.0	14.0	-	-	-	-	-	-	-
D251	75	-	-	-	-	-	-	-	-	-	-	-	-
E251	80	-	-	-	-	-	-	-	-	-	-	-	-
G251	100	-	-	-	-	-	-	-	-	-	-	-	-

261 Series - Press On All SS Standard Pressure Gauge

261 Series is all SS case with press on SS ring.



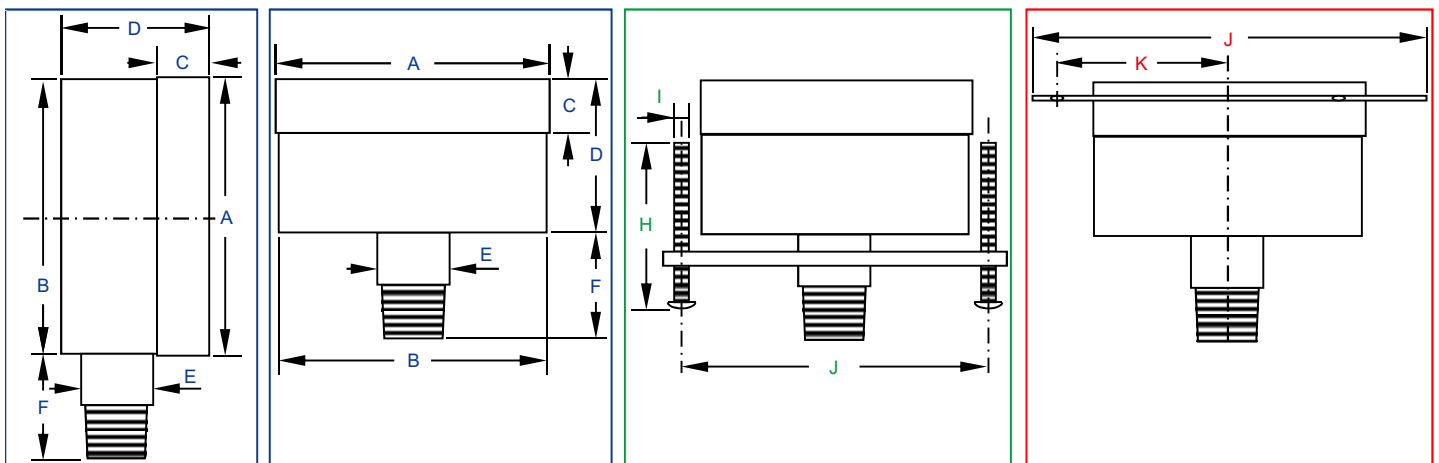
Description

261 series is designed for critical environment or high pure devices with long durability, it has SS304 housing and SS316 internals, can be used in most corrosive atmospheres and liquid, food industry, water supplier, etc.

Material Feature

Case	SS304	Connection	SS316 NPT/BSP/BSPT/Metric
Ring	SS304	Thread Size	1/8", 1/4", 3/8", 1/2"
Window	Polycarbonate or Tempered Glass	Connection Type	1 Part
Dial	Aluminium	Movement	SS304
Pointer	Aluminium	Bourdon Tube	SS316
Accuracy	2.0%/1.6%/1.0%*	Pres. Range	VAC~9PSI~15000PSI

*90% of the gauges are 1.0% accuracy under automated calibration technology even for 40mm.



DIMENSIONS

Code	Dia (mm)	Size (mm)											
		A	B	C	D	E	F	G	H	I	J	K	L
A261	40	42.0	41.0	8.0	24.0	11.0	17.0	48.0	37.0	4.0	60.5	26.3	-
B261	50	52.5	51.3	10.0	28.0	14.0	23.0	60.0	37.0	4.0	74.2	31.8	-
C261	63	63.2	62.0	10.0	28.0	14.0	23.0	71.0	37.0	4.0	84.0	36.7	-
D261	75	77.0	75.0	11.0	29.5	14.0	23.0	-	-	-	96.0	42.7	-
E261	80	79.0	77.6	11.0	29.5	14.0	23.0	-	-	-	105.5	46.8	-
G261	100	100.0	98.5	13.0	36.0	22.0	28.5	-	-	-	131.5	59.3	-

271 Series - All SS Standard Pressure Gauge

271 Series has SS case, brass internals.



271A



271B



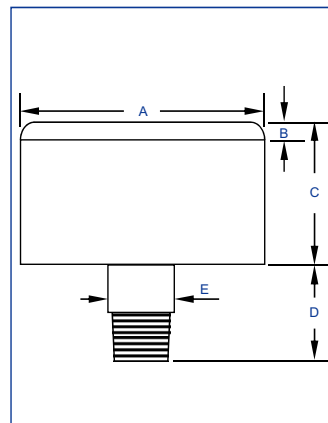
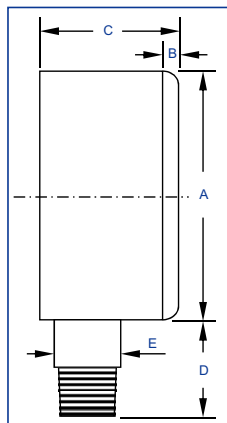
Description

271 series is economic cost gauge, the case is made by all ss case, can be used for air, water equipment, etc.

Material Feature

Case	SS304	Connection	SS316 NPT/BSP/BSPT/Metric
Ring	None	Thread Size	1/8", 1/4", 3/8", 1/2"
Window	Polycarbonate	Connection Type	1 Part
Dial	Aluminium	Movement	SS304
Pointer	Aluminium	Bourdon Tube	SS316
Accuracy	2.5%/2.0%/1.6%/1.0%*	Pres. Range	VAC~9PSI~15000PSI

*90% of the gauges are 1.0% accuracy under automated calibration technology even for 40mm.



DIMENSIONS

Code	Dia (mm)	Size (mm)											
		A	B	C	D	E	F	G	H	I	J	K	L
A271	40	41.0	2.4	24.1	25.5	11.0	-	-	-	-	-	-	-
B271	50	52.0	3.0	28.0	29.0	14.0	-	-	-	-	-	-	-
C271	63	61.0	3.0	28.8	29.0	14.0	-	-	-	-	-	-	-
D271	75	-	-	-	-	-	-	-	-	-	-	-	-
E271	80	-	-	-	-	-	-	-	-	-	-	-	-
G271	100	-	-	-	-	-	-	-	-	-	-	-	-

301 Series - ABS Case Standard Pressure Gauge

301 Series is ABS case, brass internal and connection.



301A

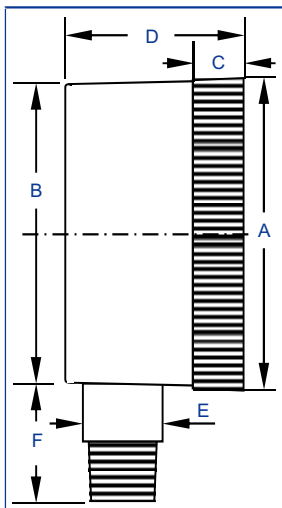
Description

301 series is designed for general purpose of industrial and daily use at low cost.

Material Feature

Case	ABS	Connection	Brass NPT/BSP/BSPT/Metric
Ring	None	Thread Size	1/8", 1/4", 3/8", 1/2"
Window	Acrylic	Connection Type	1 Part
Dial	Aluminium	Movement	Brass
Pointer	Aluminium	Bourdon Tube	Phosphorus Bronze
Accuracy	2.5%/2.0%/1.6%/1.0%*	Pres. Range	VAC~9PSI~15000PSI

*90% of the gauges are 1.0% accuracy under automated calibration technology even for 40mm.



		DIMENSIONS					
		Size (mm)					
Code	Dia (mm)	A	B	C	D	E	F
A301	40	-	-	-	-	-	-
B301	50	57.5	54.0	8.8	30.0	14.0	23.0
C301	63	-	-	-	-	-	-

Special Gas Pressure Gauge

Description

Oxygen pressure gauges are designed for oxygen service, oil is prohibited during production and usage. The components of oxygen gauge flexible, customer can ask for various components, specs and appearance same as other gauges, as long as it is safety for users.

Material Feature

Case	See Below	Connection	Brass/SS316 NPT/BSP/BSPT/Metric
Ring	See Below	Thread Size	1/8", 1/4", 3/8", 1/2"
Window	Polycarbonate	Connection Type	1 Part
Dial	Aluminium	Movement	Brass/SS304
Pointer	Aluminium	Bourdon Tube	Phosphorus Bronze/SS316L
Accuracy	2.5%/2.0%/1.6%/1.0%*	Pres. Range	VAC~9PSI~15000PSI

*90% of the gauges are 1.0% accuracy under automated calibration technology even for 40mm.



209A
Steel Case, Titanium Plated



401A
Mild Steel Case



403A
Steel Case, Chromed Plated



403B
Steel Case, Chromed Plated



405A
Steel Case, Yellow Painted



406A
Red Steel Case



407A
Green Steel Case



408A
Blue Steel Case



409A
Steel Case, Titanium Plated



421A
Safety Mild Steel Case



425A
Safety Steel Case with Yellow Painted



461A
Stainless Steel Case



***Available diameters:**
40mm, 50mm, 63mm, 68mm, 80mm.

***Available boots:**
Red color, Blue color, black color.

Sensored Pressure Gauge

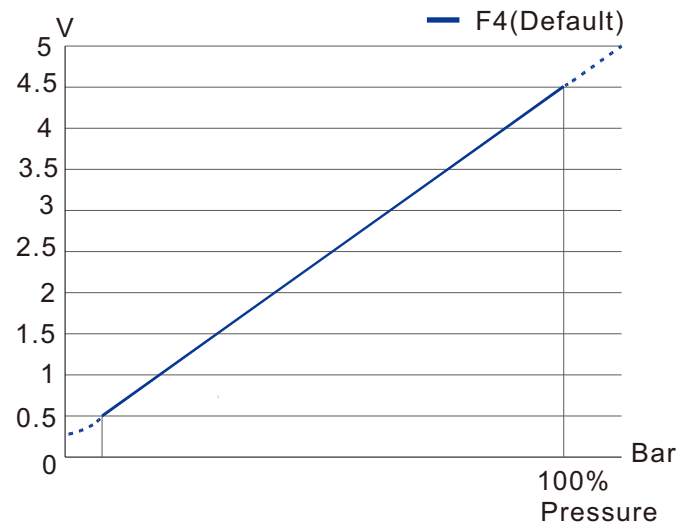
- ☆ Sensored Pressure Gauge material including stainless steel, all stainless steel, mild steel.
- ☆ It's linear volt output, the output is based on a mechanical system with extra compensation.

Specification

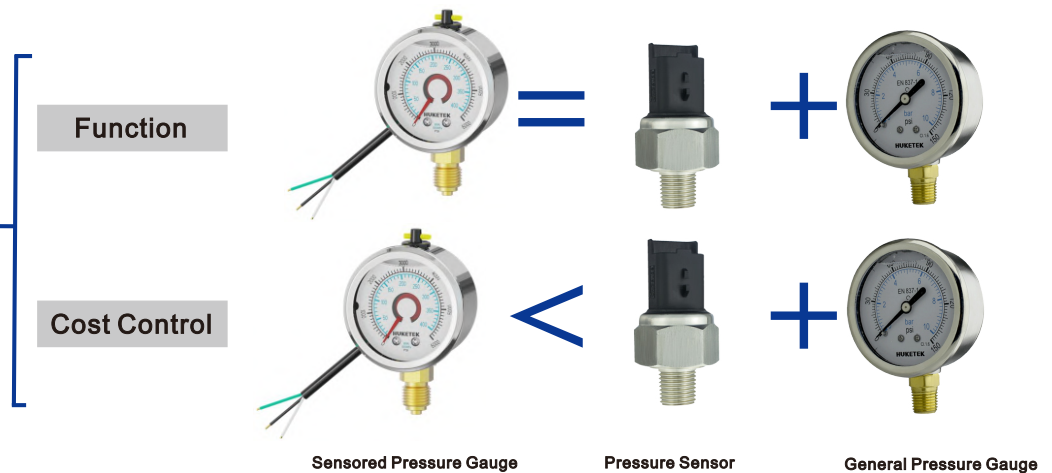
Sizes	B:50mm C: 63mm G: 100mm		
Window	Polycarbonate/ Tempered Glass/ Laminated Glass		
Accuracy	Mechanical: 1.6%/1.0%* Electrical: 1.0%/0.6%* (*Available under request)		
Dial	Plastic	Pressure range	VAC~9PSI~15000PSI
Pointer	PA66+30%GF	Advantages	Reliability, visibility, precision

Output Types

Signal Type (Can be customized)		
Signal	Input	Output
F4 (Default)	5v	0bar/0.50v~F.S./4.50v
F5	5v	0bar/0.25v~F.S./4.15v
F6	5v	0bar/0.25v~F.S./4.75v
F7	5v	0bar/0.50v~F.S./4.41v
T4	9~24v	0bar/0.50v~F.S./4.50v
T5	9~24v	0bar/0.25v~F.S./4.15v
T6	9~24v	0bar/0.25v~F.S./4.75v
T7	9~24v	0bar/0.50v~F.S./4.41v



Comparison Chart



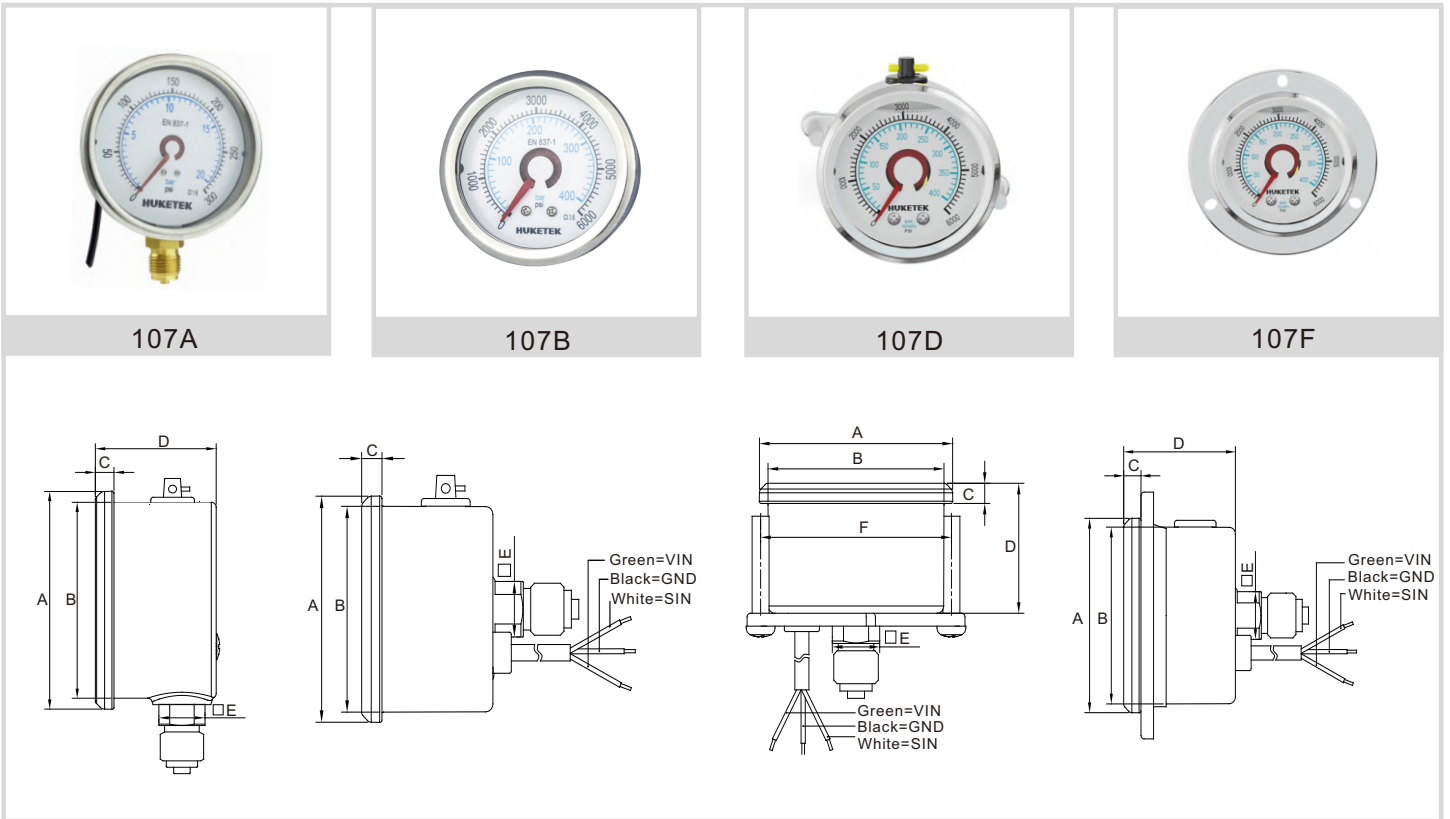
10 Series - SS Case Sensored Pressure Gauge

☆ 10 series is linear volt output, the output is based on a mechanical system with extra compensation.

Material Feature

Sizes	LB:50mm LC:63mm LG:100mm	Connection	Brass NPT/BSP/BSPT/Metric
Case&Ring	SS304, Polished	Connection Type	LB107 & LC107: 1 Part LG101: 2 Parts
Movement	Brass	Protection	IP67
Bourdon Tube	Phosphorus Bronze	Accuracy	Mechanical: 1.6%/1.0%* Electrical: 1.0%/0.6%*
Filling Liquid	Dry		
Pressure range	VAC~9PSI~15000PSI		

*90% of the gauges are 1.0%/0.6% accuracy under automated calibration technology even for 40mm.



DIMENSIONS

Code	Dia (mm)	Size (mm)					
		A	B	C	D	E	F
LB107	50	57.0	52.0	6.0	36.0	14.0	60.0
LC107	63	68.0	61.0	6.0	36.0	14.0	71.0
LG101A	100	108.0	99.0	7.0	40.0	22.0	-
LG101B	100	108.0	99.0	7.0	38.0	22.0	-
LG101D	100	108.0	99.0	7.0	38.0	22.0	116.0
LG101F	100	108.0	99.0	7.0	38.0	22.0	-

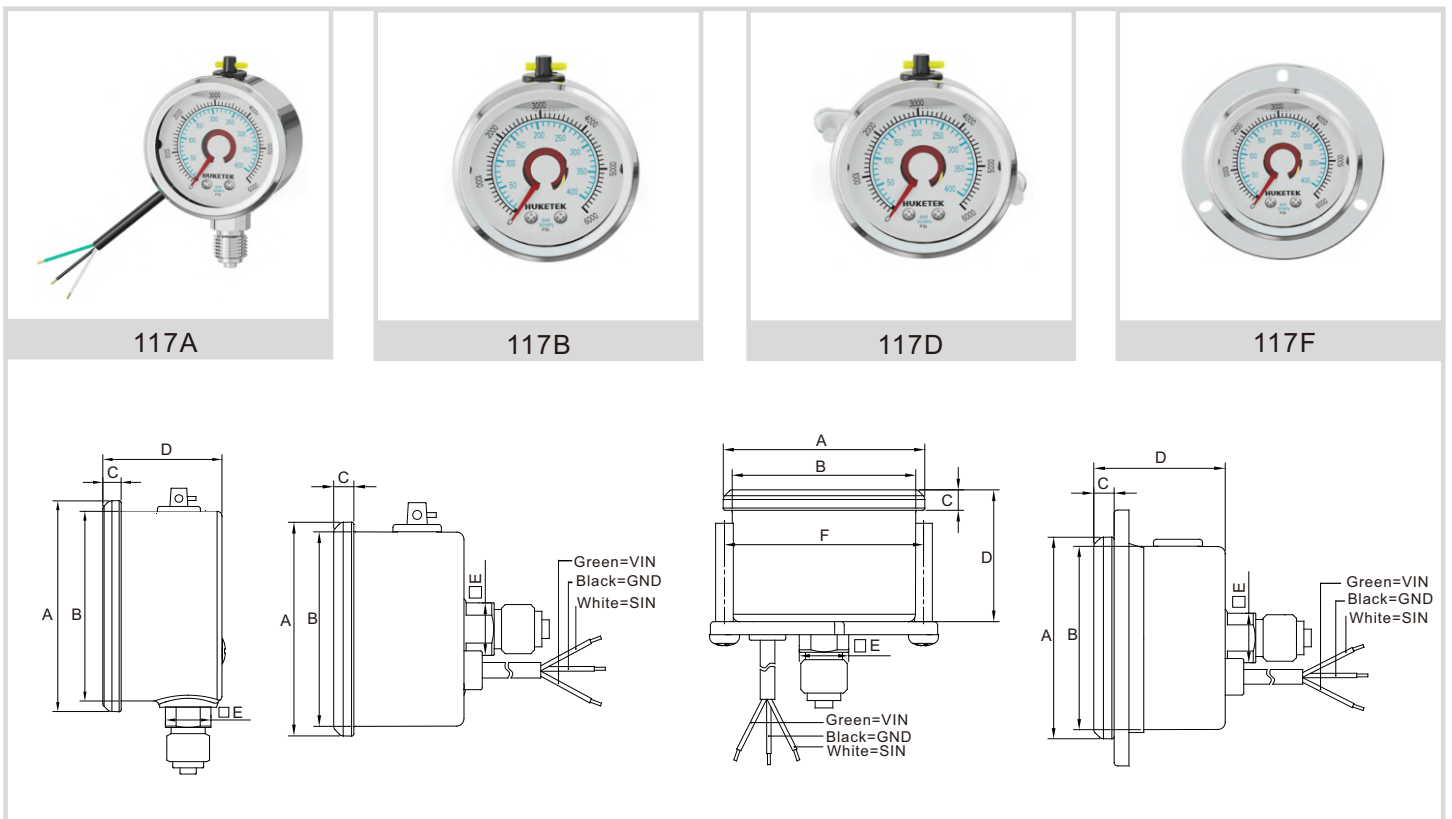
11 Series - All SS Sensored Pressure Gauge

☆ 11 series is linear volt output, the output is based on a mechanical system with extra compensation.

Material Feature

Sizes	LB:50mm LC:63mm LG:100mm	Connection	SS316 NPT/BSP/BSPT/Metric
Case&Ring	SS304, Polished	Connection Type	LB117 & LC117: 1 Part LG111: 2 Parts
Movement	SS304	Protection	IP67
Bourdon Tube	SS316L	Accuracy	Mechanical: 1.6%/1.0%* Electrical: 1.0%/0.6%*
Filling Liquid	Dry		
Pressure range	VAC~9PSI~15000PSI		

*90% of the gauges are 1.0%/0.6% accuracy under automated calibration technology even for 40mm.



DIMENSIONS

Code	Dia (mm)	Size (mm)					
		A	B	C	D	E	F
LB117	50	57.0	52.0	6.0	36.0	14.0	60.0
LC117	63	68.0	61.0	6.0	36.0	14.0	71.0
LG111A	100	108.0	99.0	7.0	40.0	22.0	-
LG111B	100	108.0	99.0	7.0	38.0	22.0	-
LG111D	100	108.0	99.0	7.0	38.0	22.0	116.0
LG111F	100	108.0	99.0	7.0	38.0	22.0	-

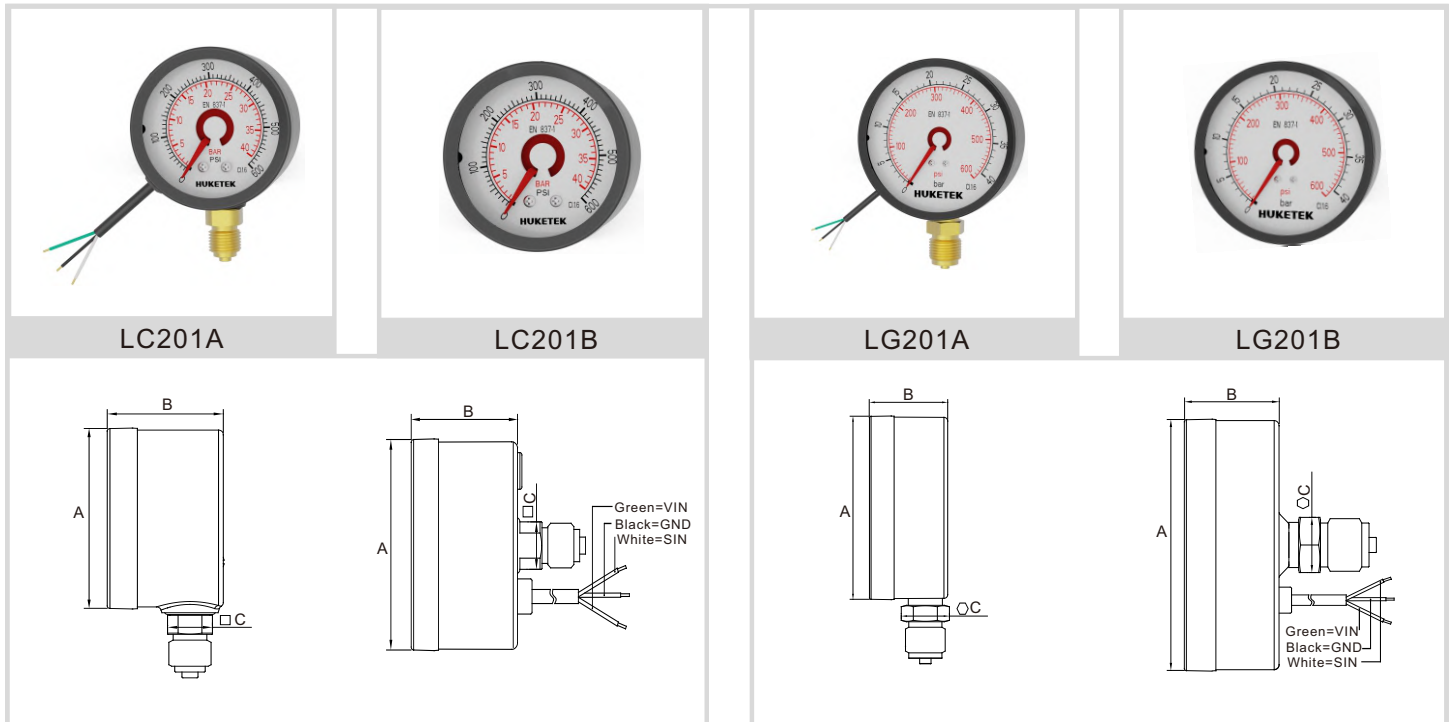
20 Series - Mild Steel Case Sensored Pressure Gauge

- ☆ 20 series is linear volt output, the output is based on a mechanical system with extra compensation.
- ☆ Used in Non-corrosive to brass, phosphor bronze, or beryllium copper, air, oil, gas and water services, etc.

Material Feature

Sizes	LB:50mm LC:63mm LG:100mm	Connection	Brass NPT/BSP/BSPT/Metric
Case&Ring	Mild Steel	Connection Type	LB201 & LC201: 1 Part LG201: 2 Parts
Movement	Brass	Protection	IP65
Bourdon Tube	Phosphor bronze	Accuracy	Mechanical: 1.6%/1.0%* Electrical: 1.0%/0.6%*
Filling Liquid	Dry		
Pressure range	VAC~9PSI~15000PSI		

*90% of the gauges are 1.0%/0.6% accuracy under automated calibration technology even for 40mm.



DIMENSIONS

Code	Dia (mm)	Size (mm)		
		A	B	C
LB201	50	52.5	35.0	14.0
LC201	63	62.0	35.0	14.0
LG201A	100	101.0	40.0	22.0

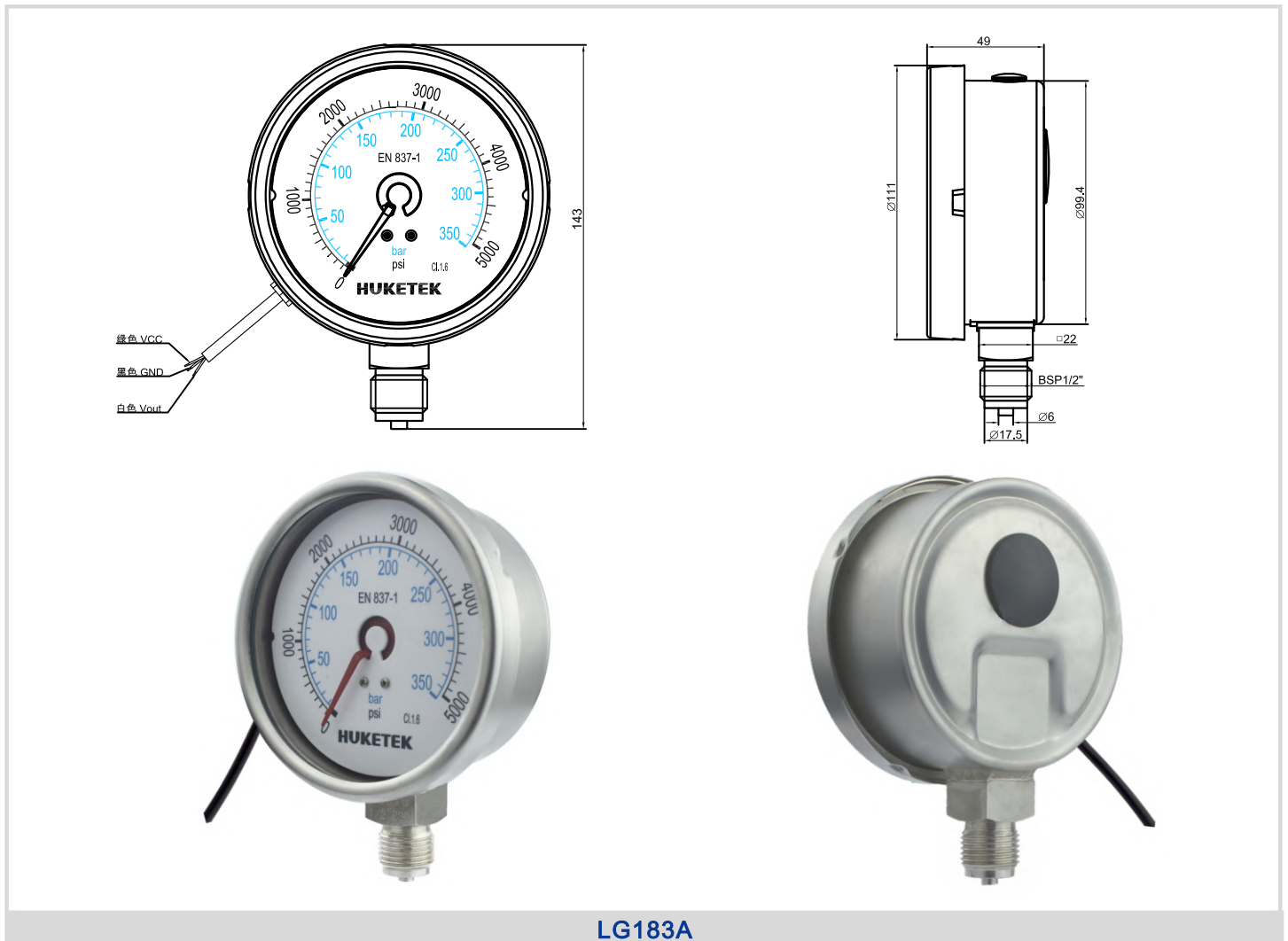
LG183 Series - All SS Welded Sensored Pressure Gauge

Description

LG183A series is linear volt output all SS sensored gauge with bayonet bezel, it means this gauge is repairable. This series also can be used under critical environment, high pure devices, etc.

Material Feature

Case	SS304	Connection	SS316 NPT/BSP/BSPT/Metric
Ring	SS304	Thread Size	1/8", 1/4", 1/2", M14, M20
Window	Polycarbonate	Movement	SS304
Dial	Plastic	Bourdon Tube	SS316L
Pointer	PA66+30%GF	Welding Type	Argon-arc Welding
Accuracy	1.6%/1.0%*	Pres. Range	VAC~9PSI~30000PSI



LG183A

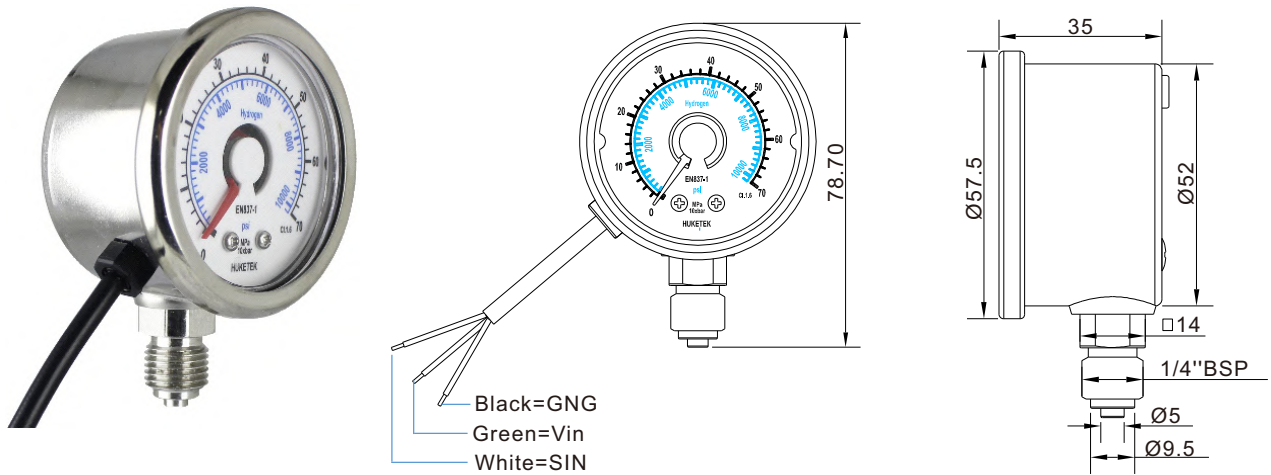
DIMENSIONS

Code	Dia (mm)	Size (mm)					
		A	B	C	D	E	F
LB183	50	58.0	50.5	10.4	18.6	14.0	26.0
LC183	63	69.0	61.0	10.4	18.6	14.0	26.0

LB917 Series - Hydrogen Sensored Pressure Gauge

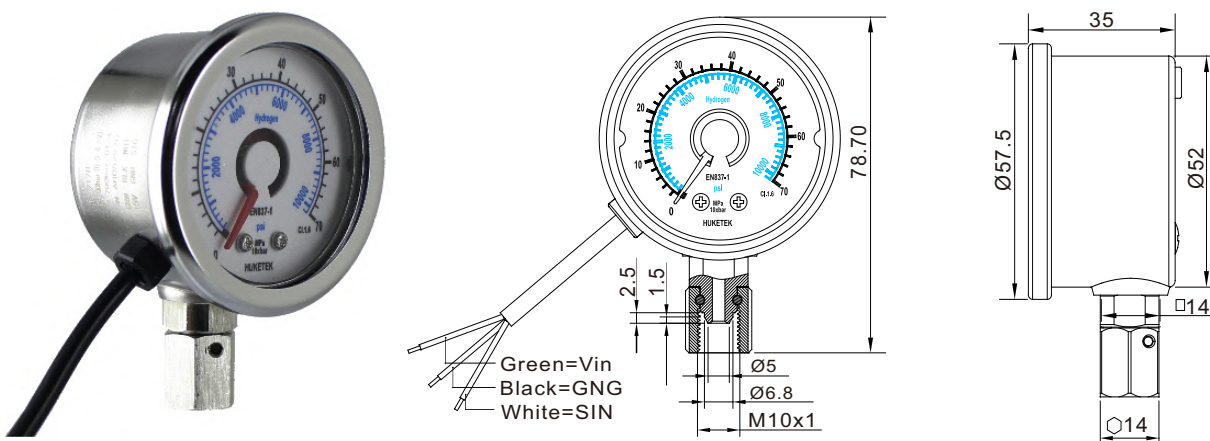
- ☆ LB917A are pressure gauge with linear volt output(for hydrogen energy), A sensor is inside the gauge to supply output.
- ☆ It can be customized, the advantages of Reliability, Visibility, and Precision. It can fully meet the requirements of the application of automobile and industry.

LB917A: Traditional Connection



LB917H: Loose Connection

When installing the pressure gauge, you can adjust the orientation of the gauge freely according to your needs, which will be more convenient for reading data and maintaining, or other purposes.



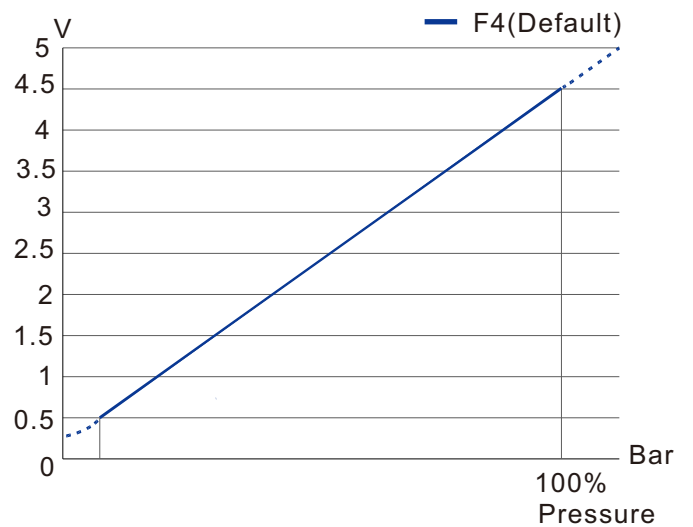
Specification

Case	Stainless steel, Polished	Thread size	1/4"BSP, M10x1 Female
Ring	Stainless steel, Polished	Movement	Brass, Stainless steel
Window	Polycarbonate	Bourdon tube	Stainless steel
Dial	Plastic	Accuracy	Mechanical: 1.6%/1.0%* Electrical: 1.0%/0.6%*
Pointer	PA66+30%GF	Pressure range	0~700bar, 0~1000bar
Connection	Stainless steel	Protection	IP67

*Available under request

Output Types

Signal Type (Can be customized)		
Signal	Input	Output
F4 (Default)	5v	0bar/0.50v~F.S./4.50v
F5	5v	0bar/0.25v~F.S./4.15v
F6	5v	0bar/0.25v~F.S./4.75v
F7	5v	0bar/0.50v~F.S./4.41v
T4	9~24v	0bar/0.50v~F.S./4.50v
T5	9~24v	0bar/0.25v~F.S./4.15v
T6	9~24v	0bar/0.25v~F.S./4.75v
T7	9~24v	0bar/0.50v~F.S./4.41v

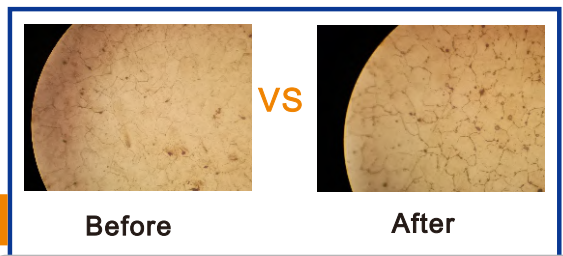


Hydrogen Embrittlement Test



Test process and equipment

304 material



Metallographic comparison before and after

316L material



RB107 Series - SS Case Multi-function Pressure Gauge

★ Use adjustable output signal

★ Setup able switches

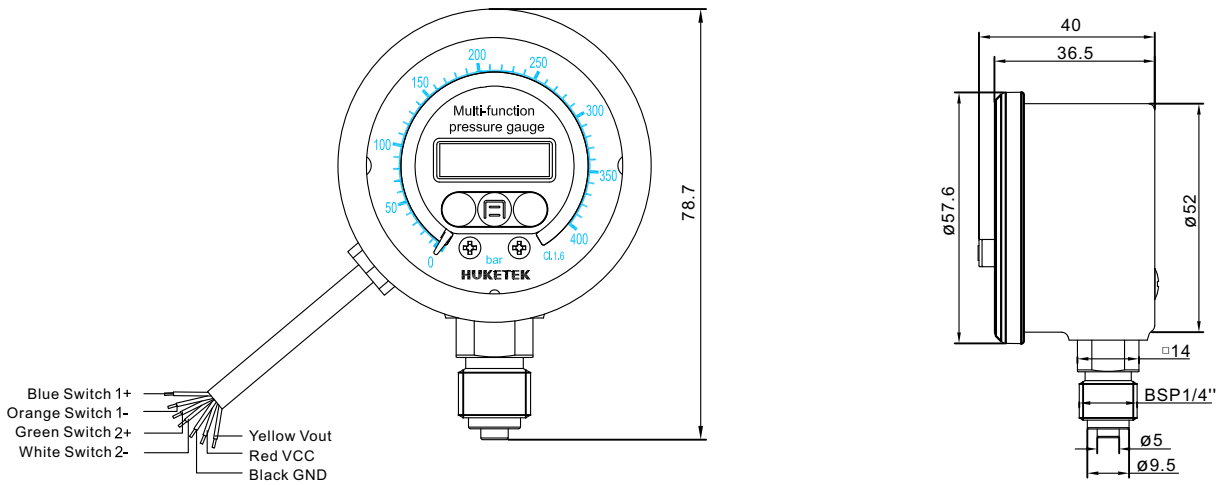
★ Digital Display

RB107 is a 3-in-1 solution, combining the function of a pressure sensor, a pressure gauge and a digital display.

Specification







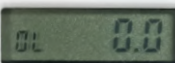

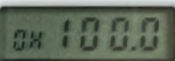
Case	SS304, Polished	Connection	Brass NPT/BSP/BSPT/Metric
Ring	SS304, Polished	Thread Size	1/8", 1/4", 3/8", 1/2"
Window	Polycarbonate	Bourdon Tube	Brass
Movement	Brass	Accuracy	Mechanical: 1.6%/1.0%*
Dial	Plastic		Electrical: 1.0%/0.6%*
Pointer	PA66+30%GF	Pressure range	VAC~9PSI~15000PSI
Protection	IP67	Input	5v(Accept customized)
Switch current	< or =	Output	0.5~4.5v(User calibratable)

*90% of the gauges are 1.0%/0.6% accuracy under automated callibration technology even for 40mm.



RB107A

Multi-function Pressure Gauge Instruction

Power on	Automatically after connect to power supply
Enter setup	 Press middle button 2 second, then press left or right button to select the item, middle button to enter.
Setup codes	1O= set pressure of switch 1 ON 1F= set pressure of switch 1 OFF 2O= set pressure of switch 2 ON 2F= set pressure of switch 2 OFF OUTL= set pressure for 0.5v output OUTH= set pressure for 4.5v output ESC= exit setup and return to pressure display
Switch setup (switch 1 for example)	 1. Find 1O
	 2. pressure middle button to enter 1O, then press left or right button to adjust pressure, and press middle button again to save and exit.
	 3. Find 1F
	 4. pressure middle button to enter 1F, then press left or right button to adjust pressure, and press middle button again to save and exit.
	Switch logic: 1) If ON pressure is lower than OFF pressure: when gauge pressure is lower than ON pressure, switch turns on, when gauge pressure is higher than OFF pressure, switch turns OFF. 2) If ON pressure is higher than OFF pressure: when gauge pressure is higher than ON pressure, switch turns on, when gauge pressure is lower than OFF pressure, switch turns OFF.
Output setup	 1. Find OUTL
	 2. pressure middle button to enter OUTL, then press left or right button to adjust pressure, and press middle button again to save and exit.
	 3. Find OUTH
	 4. pressure middle button to enter OUTH, then press left or right button to adjust pressure, and press middle button again to save and exit.
	After finish setup, system will adjust the output curve automatically.



HUKETEK MFG CO LTD



www.huketek.com



cng@cngauge.com



0086-731-86801760



Building B16, Science and Technology
New City, Changsha Economic and
Technological Development Zone,
Changsha City, Hunan Province, China.

